

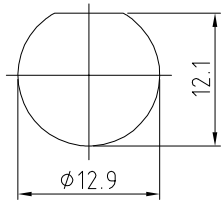
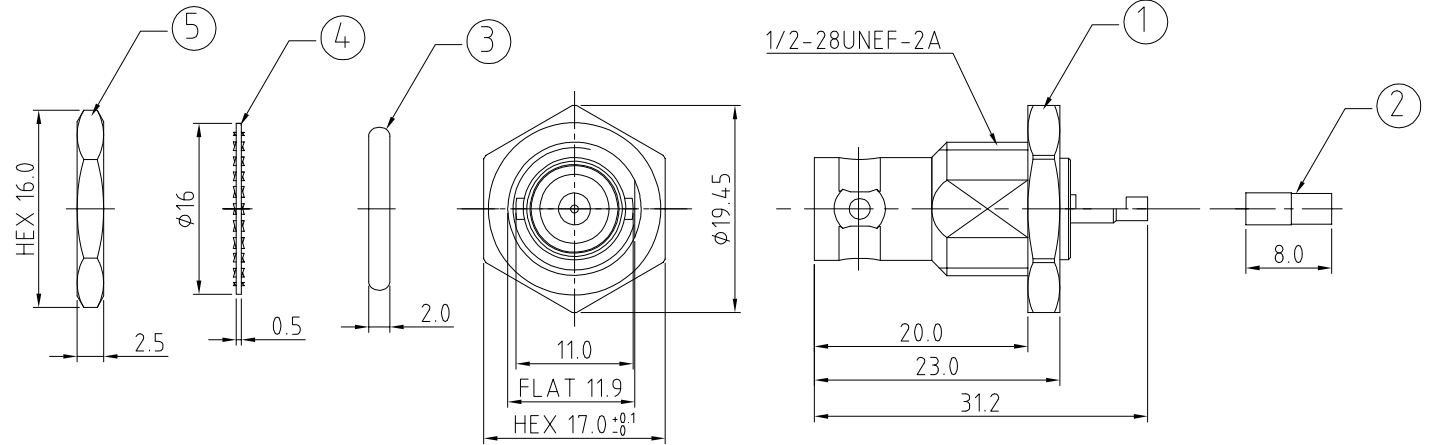
RFCT-BNC006-F78: BNC STRAIGHT BULKHEAD JACK WITH O-RING RATED TO IP67/68, FOR 0.81~RG178 CABLE

Material and Plating:

- 1. Barrel: Brass, Nickel Plated.
Gasket: Silicon.
- Pin: Phosphor Bronze, Gold Plated.
- Insulator A: Teflon.
- Insulator B: Teflon.
- Body: Brass, Nickel Plated.
- 2. Ferrule: Brass, Nickel Plated.
- 3. O-Ring: Silicon.
- 4. Washer: Stainless Steel, Nickel Plated.
- 5. Nut: Brass, Nickel Plated.

Environmental:

- A. Tested to:
 - i. IP6x - Dust tight - no particle ingress.
 - ii. IPx7 Waterproof for 30 minutes up to 1 meter underwater.
 - iii. IPx8 Waterproof for 48 hours at 1 meter underwater.
 - iv. IPx8 Waterproof for 12 hours at 5 meters underwater.
 - v. Pressure test - 1 bar for 10 seconds.



RECOMMENDED MOUNTING HOLE
MAX. PANEL THICKNESS: 5.1MM
TOLERANCE: ±0.1

REV. DATE & DRN
10 25/09/19 - NYW RELEASE

Scale: NTS	THIRD ANGLE	Unstated X .XX .XXX ANGLES	Tolerances: N/A N/A N/A N/A
Drawn: NYW			
App'd: XXX	Title BNC BULKHEAD JACK		
Date: 25 SEP. '19	Revision: 1.0	Unit: mm	



Type: RFCT-BNC006-F74
RFCT-BNC006-F74
Drawing Number:
Sheet 1 of 1
Drawing © E and O E