

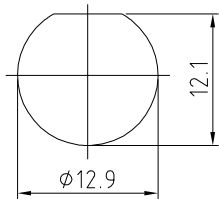
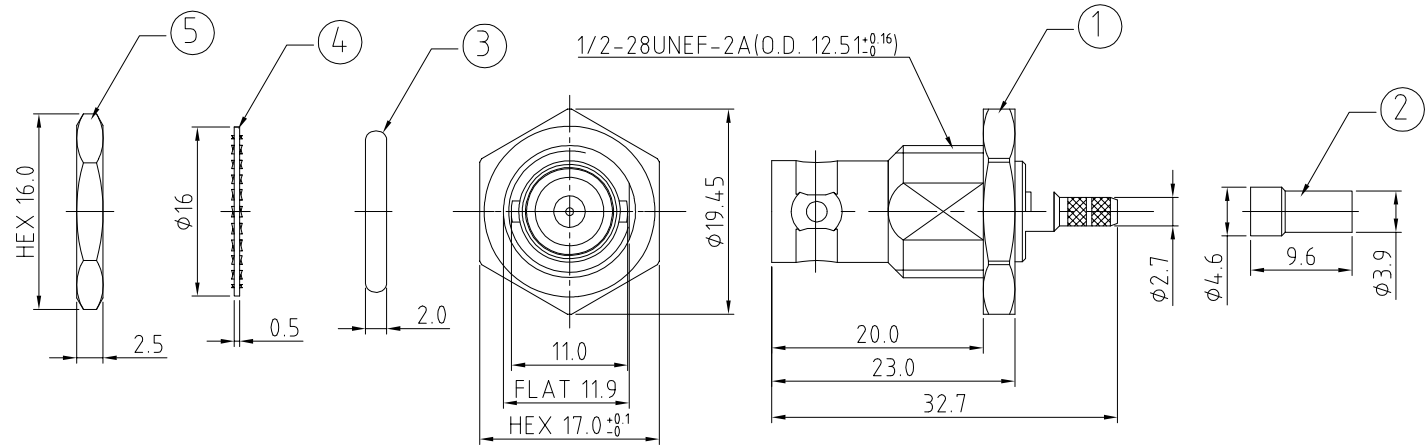
RFCT-BNC001-F74: BNC STRAIGHT BULKHEAD JACK WITH O-RING RATED TO IP67/68, FOR RG174 CABLE

Material and Plating:

1. Barrel: Brass, Nickel Plated.
Gasket: Silicon.
Pin: Phosphor Bronze, Gold Plated.
Insulator A: Teflon.
Insulator B: Teflon.
Body: Brass, Nickel Plated.
2. Ferrule: Brass, Nickel Plated.
3. O-Ring: Silicon.
4. Washer: Stainless Steel, Nickel Plated.
5. Nut: Brass, Nickel Plated.

Environmental:

- A. Tested to:
- i. IP6x - Dust tight - no particle ingress.
 - ii. IPx7 Waterproof for 30 minutes up to 1 meter underwater.
 - iii. IPx8 Waterproof for 48 hours at 1 meter underwater.
 - iv. IPx8 Waterproof for 12 hours at 5 meters underwater.
 - v. Pressure test - 1 bar for 10 seconds.



RECOMMENDED MOUNTING HOLE
MAX. PANEL THICKNESS: 5.1MM
TOLERANCE: ±0.1

REV. DATE & DRN
10 13/07/15 - NYW RELEASE
11 29/10/15 - NYW
ADD IP67/68 RATING INFO.
12 17/03/17 - NYW
DRAWING AMENDMENT.
13 29/07/19 - NYW
ADD MAX. PANEL THICKNESS

Scale: NTS	THIRD ANGLE	Unstated X .XX .XXX ANGLES	Tolerances: N/A N/A N/A N/A
Drawn: NYW			
App'd: XXX	Title BNC BULKHEAD JACK		
Date: 29 JUL. '19	Revision: 1.3	Unit: mm	

 IP67/68 Rated Cables	 www.gradconn.com	Type: RFCT-BNC001-F74
		RFCT-BNC001-F74 Drawing Number:
© THIS DRAWING IS CONFIDENTIAL AND MUST NOT BE COPIED OR DISCLOSED WITHOUT WRITTEN CONSENT		Sheet 1 of 1 Drawing © E and O E