

CH03-GB - 3FF MICRO SIM CARD CONNECTOR SMT, PUSH PUSH TYPE, WITH SWITCH, 6 OR 8 CONTACTS

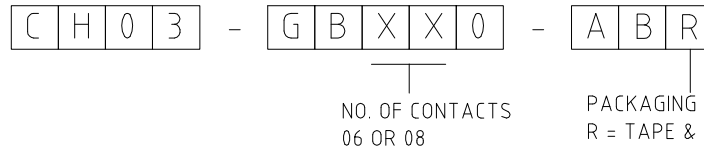
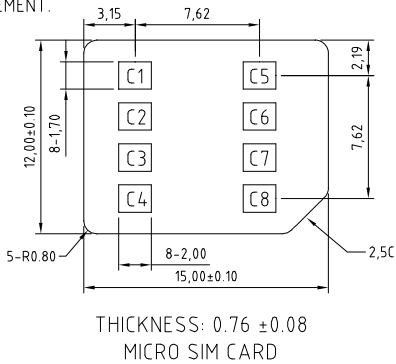
FEATURES

- GENERAL CHARACTERISTICS**
 DIMENSIONS: 15.75L x 17.17W x 1.50H mm
 WEIGHT: APPROX. 0.4g
 CONTACT PRINCIPLE: FRICTION TECHNOLOGY
 DURABILITY: 1,500 CYCLES MIN.
- MECHANICAL CHARACTERISTICS**
 INSULATION MATERIAL: THERMOPLASTIC, UL 94V-0
 CONTACT MATERIAL: PHOSPHOR BRONZE, GOLD PLATED
 CD SWITCH: PHOSPHOR BRONZE, GOLD PLATED
 SHELL MATERIAL: STAINLESS STEEL, GOLD PLATED ON SMT AREA
 SWITCH TYPE: BLADE, NORMALLY CLOSE
- ELECTRICAL CHARACTERISTICS**
 NUMBER OF CONTACTS: 6, 8 PINS (OPTIONAL)
 CONTACT RESISTANCE (CONTACTS): 50m OHMS TYP. 100m OHMS MAX.
 CONTACT RESISTANCE (SWITCH): 300m OHMS MAX.
 INSULATION RESISTANCE: >1000M OHMS / 500V DC
 DIELECTRIC WITHSTANDING VOLTAGE: 500V AC RMS, 1 MINUTE
 VOLTAGE RATING: 50V MAX.
 CURRENT RATING: 1A MAX., 10uA MIN.

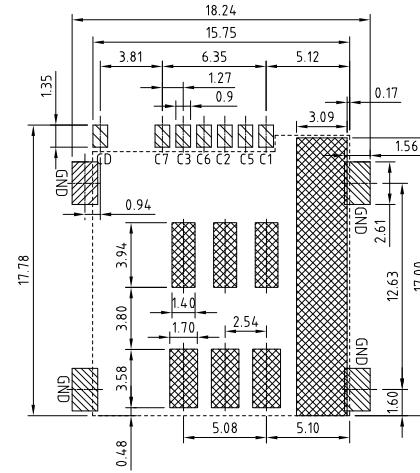
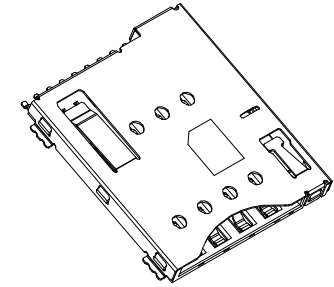
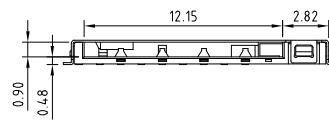
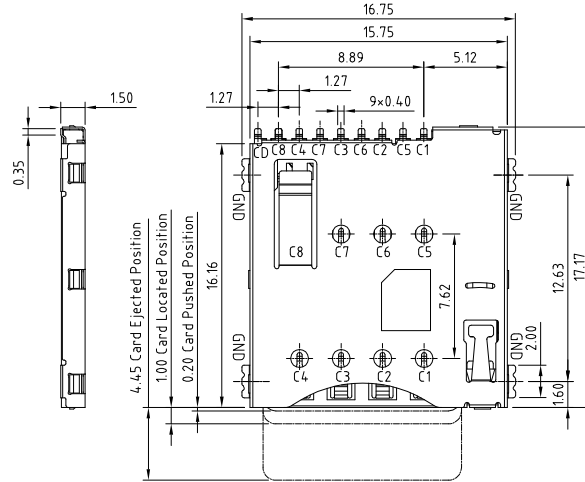
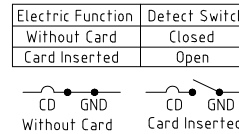
- SOLDERABILITY**
 WAVE: NOT APPLICABLE
 IR REFLOW: 250°C, 5 SEC. MAX.
 MANUAL SOLDERING: 370°C, 3 SEC. MAX.

- ENVIRONMENTAL CHARACTERISTICS**
 OPERATING TEMPERATURE: -40°C ~ +85°C
 OPERATING HUMIDITY: 10% ~ 95% RH
 STORAGE TEMPERATURE: -40°C ~ +85°C
 STORAGE HUMIDITY: 10% ~ 95% RH

NOTES:
 1. ACCEPTABLE SIM CARD SIZE SHOULD MEET GSM 11.11 SPECIFICATION REQUIREMENT.

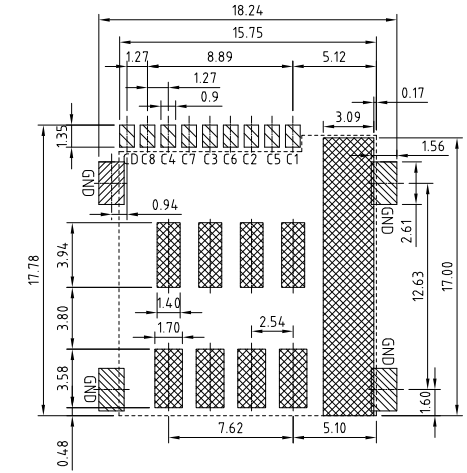


Switch Operation Diagram



RECOMMENDED PCB LAYOUT (6 PINS)

▨ BOARD PAD ▩ NO WIRING AREA
 (TOLERANCES: ±0.05)



RECOMMENDED PCB LAYOUT (8 PINS)

▨ BOARD PAD ▩ NO WIRING AREA
 (TOLERANCES: ±0.05)

REV. DATE & DRN
 1.0 18/07/14 - NYW RELEASE

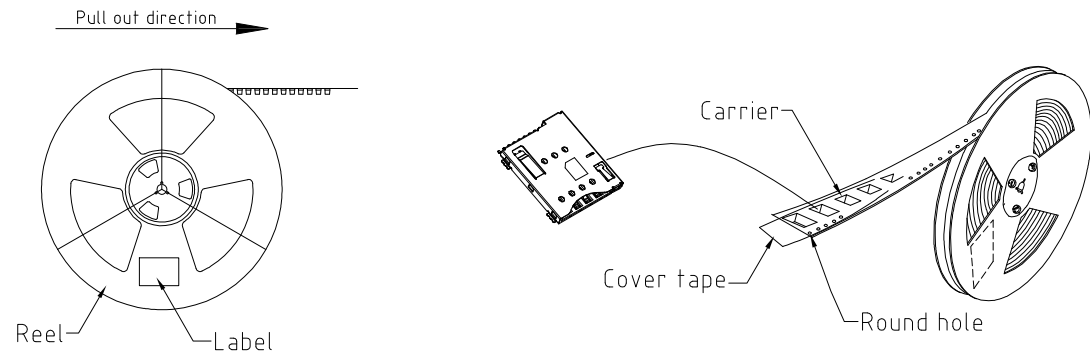
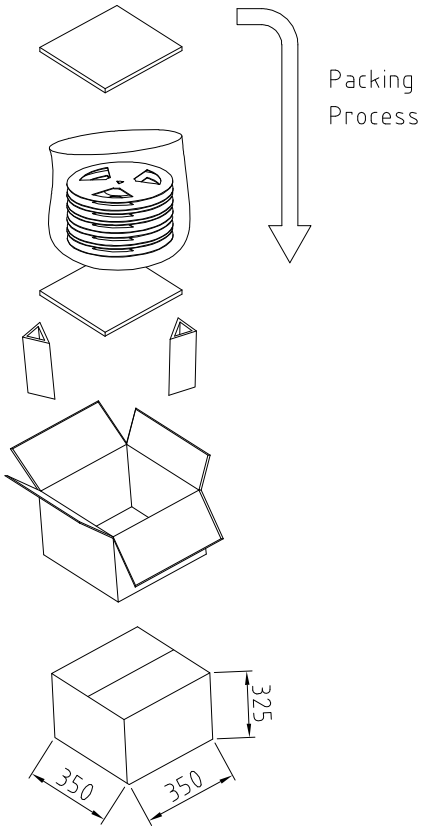
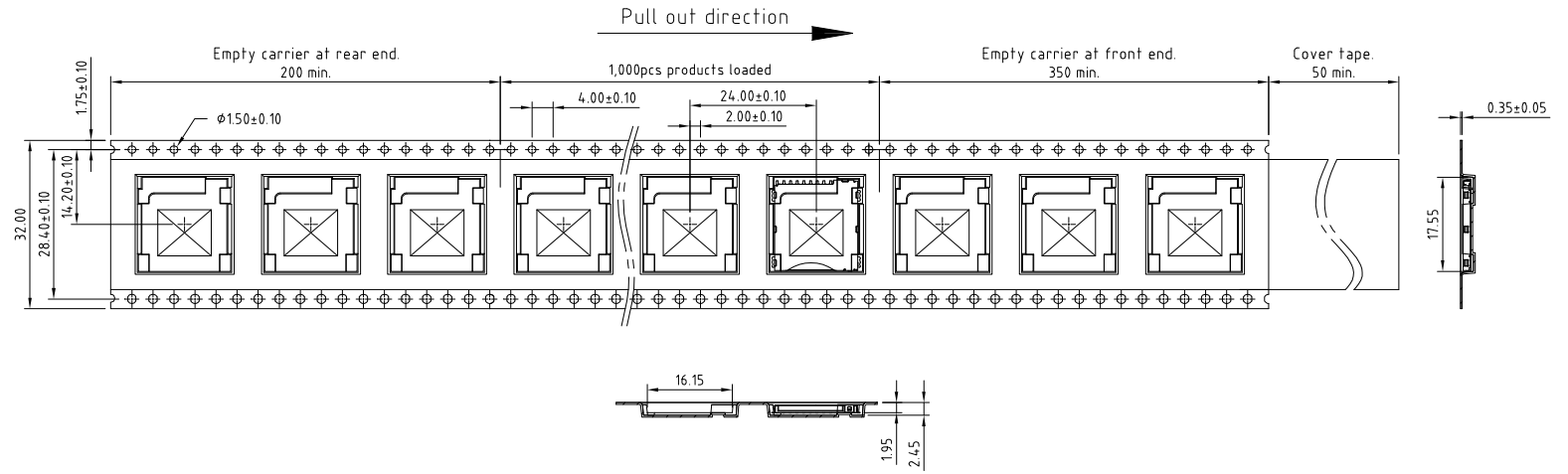
Scale: 3:1	THIRD ANGLE	Unstated Tolerances: XX ± 0.15	Material SEE NOTE
Drawn: NYW			
App'd: XXXX	Title: SIM CARD ACCEPTOR		NOT TO SCALE
Date: 18 JUL '14	Revision: 1.0		Unit: mm

www.gradconn.com

THIS DRAWING IS CONFIDENTIAL AND MUST NOT BE COPIED OR DISCLOSED WITHOUT WRITTEN CONSENT

Type: CH03-GB
CH03-GB
Drawing Number:
Sheet 1 of 1
Drawing © E and O E

CH03-GB - PACKAGING DRAWING



- NOTES:
1. REEL DIA.: 33CM.
 2. 1,000PCS PER REEL, GROSS WEIGHT: 0.85KG.
 3. 8 REELS PER FULL CARTON, GROSS WEIGHT: 7.7KG.

REV. DATE & DRN
1.0 05/08/14 - NYW RELEASE

	THIRD ANGLE	Unstated .X .XX .XXX X.°	Tolerances: ±0.15 ±0.10 ±0.05 ±1.5°	Material SEE NOTE
Drawn: NYW				
App'd: XXX	Title: PACKAGING			NOT TO SCALE
Date: 5 AUG. '14	Revision: 1.0			Unit: mm

www.gradconn.com

© THIS DRAWING IS CONFIDENTIAL AND MUST NOT BE COPIED OR DISCLOSED WITHOUT WRITTEN CONSENT

Type: CH03-GB
CH03-GB
Drawing Number:
Sheet 1 of 1
Drawing © E and O E