

CH03-AB - SIM CARD HOLDER WITH SWITCH 6 PINS, SLID IN TYPE, WITH HALF METAL COVER

FEATURES

1. GENERAL CHARACTERISTICS

DIMENSIONS: 15.85L x 16.50W x 3.00H mm

WEIGHT: APPROX. 0.70g

CONTACT PRINCIPLE: FRICTION TECHNOLOGY

OPERATING POSITION: SHAFT UP / DOWN / HORIZONTAL

MOUNTING SYSTEM: SMT TYPE WITHOUT POST

DURABILITY: 10,000 CYCLES MIN.

2. MECHANICAL CHARACTERISTICS

INSULATION MATERIAL: LCP+30% G.F, UL 94V-0

CONTACT MATERIAL: PHOSPHOR BRONZE

PLATING :

DATA CONTACTS -

GOLD FLASH ON CONTACT AREA OVER 50U" NICKEL ⚠

GOLD FLASH ON SOLDER AREA (PCB SIDE) OVER 50U" NICKEL ⚠

50U" NICKEL ON THE REST. ⚠

CARD DETECTOR / SWITCH -

GOLD FLASH OVER 50U" NICKEL

METAL SHELL MATERIAL: STAINLESS STEEL ⚠

3. ELECTRICAL CHARACTERISTICS

CONTACT RESISTANCE: 50M OHMS TYP. 100M OHMS MAX.

INSULATION RESISTANCE: > 1000M OHMS / 500V DC

SWITCH TYPE: BLADE (Normally Open)

RATED CURRENT: 1A MAX.

RATED VOLTAGE: 50V MAX.

WITHSTANDING DIELECTRIC VOLTAGE: 50V AC R.M.S. FOR 1 MINUTE

4. SOLDERABILITY

WAVE: NOT APPLICABLE

IR REFLOW: 260°C, 10 SEC. MAX. ⚠

MANUAL SOLDERING: 360°C, 3 SEC. MAX.

5. ENVIRONMENTAL CHARACTERISTICS

OPERATING TEMPERATURE: -40°C ~ +85°C

OPERATING HUMIDITY: 10% ~ 95% RH

STORAGE TEMPERATURE: -40°C ~ +85°C

STORAGE HUMIDITY: 10% ~ 95% RH

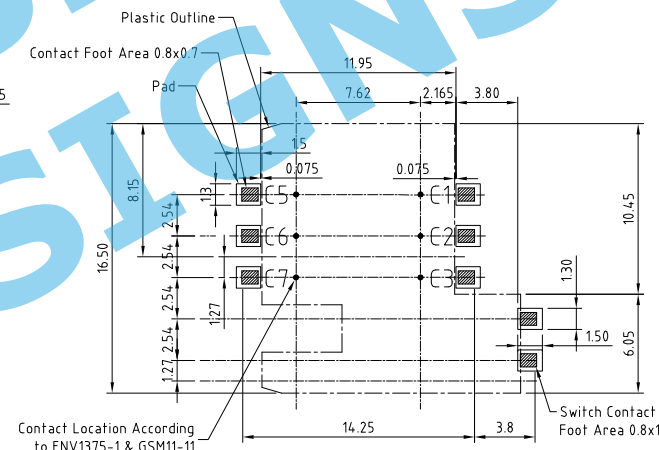
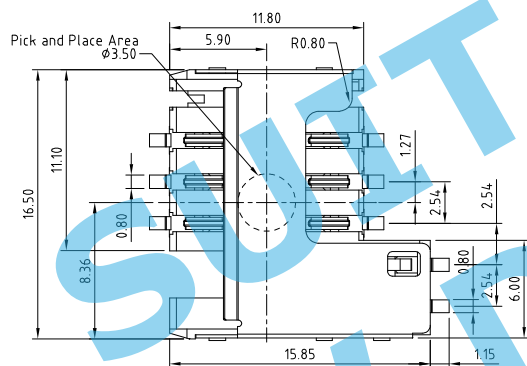
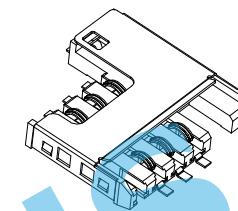
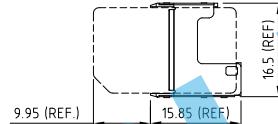
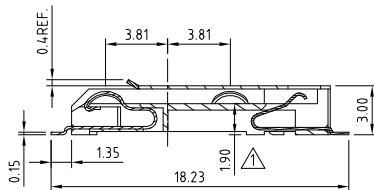
THERMAL SHOCK: -40°C ~ +85°C, 5 CYCLES

DAMP HEAT: 40°C, 90% RH, 500HR

SALT-MIST: 35°C, 5% NaCl, 48HR

NOTES:

- ACCEPTABLE SIM CARD SIZE SHOULD MEET GSM 11.11 SPECIFICATION REQUIREMENT. ⚠



RECOMMENDED PCB LAYOUT

HOW TO ORDER

C	H	0	3	-	A	B	0	6	0	-	0	B	R
---	---	---	---	---	---	---	---	---	---	---	---	---	---

NO. OF CONTACTS

⚠ PACKAGING OPTIONS

R = REEL

(700PCS/REEL)

REV.	DATE & DRN
10	25/09/05-NYW RELEASE
11	27/09/06-NYW
12	05/10/06-NYW
13	29/05/07-NYW
14	28/09/07-NYW
15	16/06/08-NYW
16	28/02/09-PN
17	20/07/10-NYW
18	12/09/13-NYW

△ ADD. DIMENSION
△ AMEND OR MAX. TEMP.
△ ADD. NOTES 1.
△ REMOVE PACK OPTION TUBE.
△ ADD ELECTRICAL SPEC.
PACKAGING DRAWING AMEND
△ AMEND PLATING SPEC
METAL COVER CHANGE

Scale:	3:1
Drawn:	NYW
App'd:	XXXX
Date:	12 SEP. '13

THIRD ANGLE	
Title	SIM CARD ACCEPTOR
Revision:	1.8

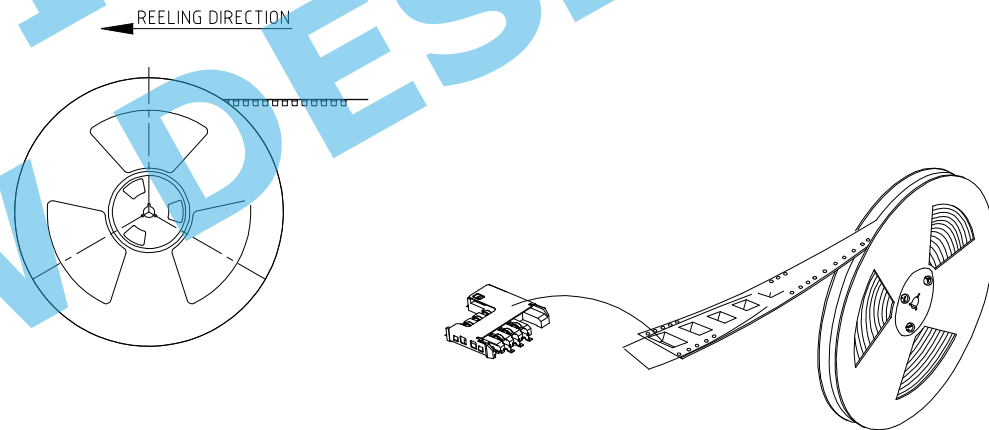
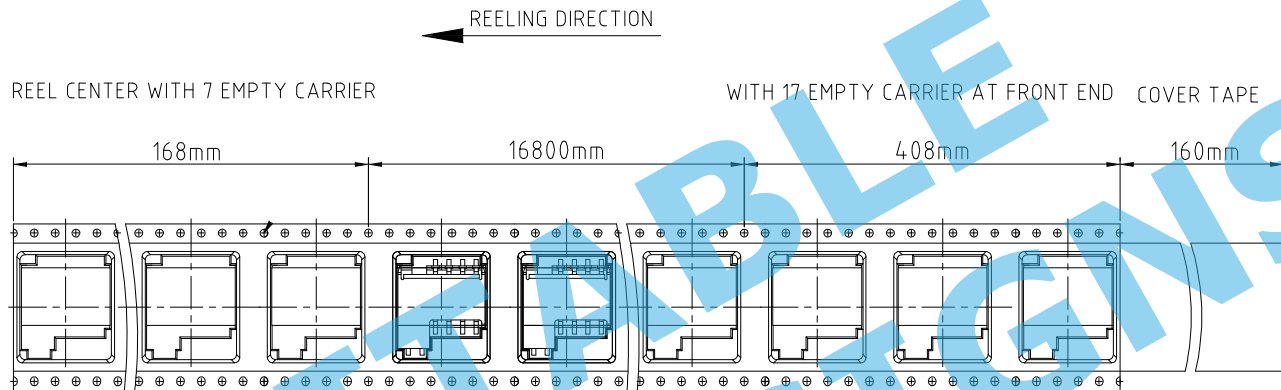
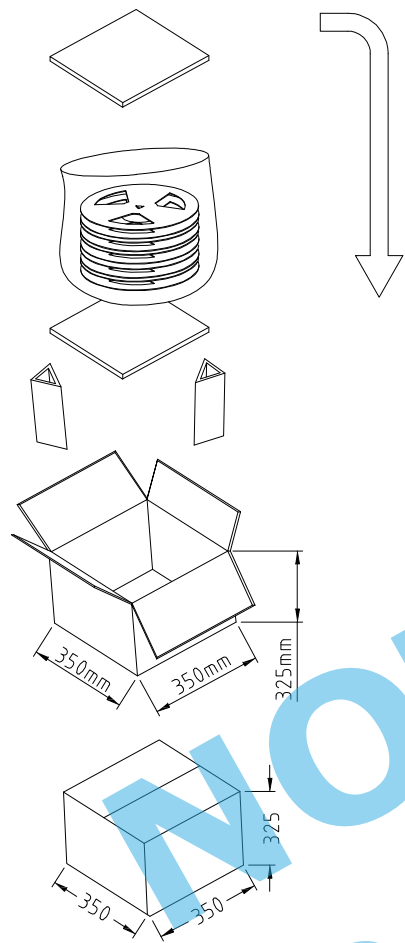
Unstated Tolerances:	0 Dec Places 1 Dec Places 2 Dec Places 3 Dec Places
Material	SEE NOTE
NOT TO SCALE	
Unit:	mm

Material	SEE NOTE
NOT TO SCALE	
Unit:	mm

www.gradconn.com	
Ⓢ THIS DRAWING IS CONFIDENTIAL AND MUST NOT BE COPIED OR DISCLOSED WITHOUT WRITTEN CONSENT	

Type:	CH03-AB
Drawing Number:	CH03-AB
Sheet	1 of 2
Drawing	Ⓢ E and OE

CH03-AB - SIM CARD HOLDER WITH SWITCH 6 PINS, SLID IN TYPE, WITH HALF METAL COVER - PACKAGING DRAWING



- NOTES:
1. REEL DIA.: 33CM.
 2. 700PCS PER REEL, GROSS WEIGHT: 1.05KG.
 3. 8 REELS PER FULL CARTON, GROSS WEIGHT: 9.6KG.

REV. DATE & DRN
10 28/04/09 - PN
PACKAGING DRAWING ADDED

Scale: NTS	THIRD ANGLE	Unstated Tolerances: 0 Dec Places 1 Dec Places 2 Dec Places 3 Dec Places	Material SEE NOTE
Drawn: PN			
App'd: XXXX	Title SIM CARD ACCEPTOR	NOT TO SCALE	
Date: 28 APR '09	Revision: 1.0	Unit: mm	

www.gradconn.com

THIS DRAWING IS CONFIDENTIAL AND MUST NOT BE COPIED OR DISCLOSED WITHOUT WRITTEN CONSENT

Type: CH03-AB
CH03-AB
Drawing Number:
Sheet 2 of 2
Drawing C E and O E