

CABLE 392 RF: MMCX RIGHT ANGLE JACK TO RG174 TO SMA ST PLUG- 3GHz

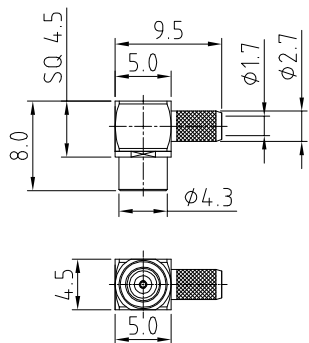
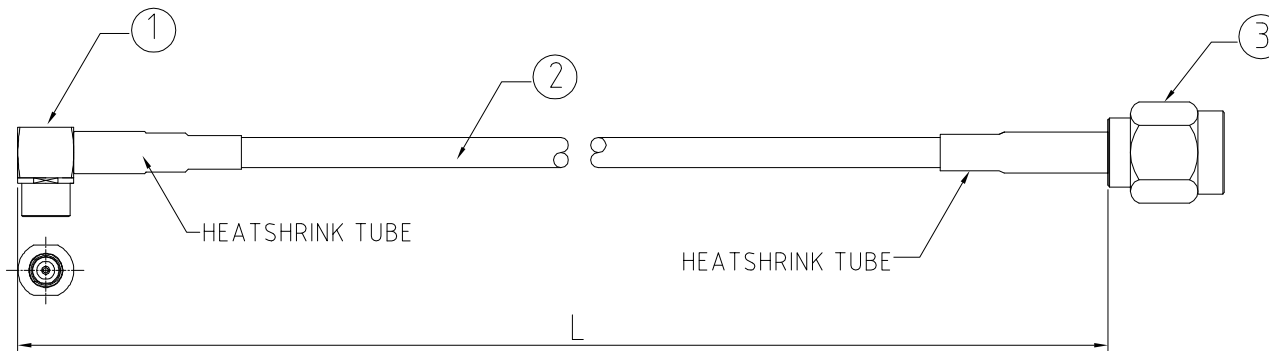
SPECIFICATIONS

- 1. MMCX RIGHT ANGLE JACK ,  
P/N: RFCT-MMCX011-F74
- 2. RG174 COAXIAL CABLE, BLACK
- 3. SMA ST PLUG, P/N: RFCT-SMA027-M74

NOTES:

ELECTRICAL:

- 1. WORKING FREQUENCY RANGE: DC-3GHz.
- 2. OPERATING TEMPERATURE: -20°C~+80°C.
- 3. IMPEDANCE: 50 Ohm.



MMCX DETAIL DRAWING

HOW TO ORDER  
CABLE 392 RF - X X X

"L" LENGTH IN MM  
eg: 100MM = 100  
(MIN. = 050, MAX. = 400)  
STANDARD = 100, 150, 200  
Tolerance: 51-200mm: ±5mm.  
201-400mm: ±7mm.

|   |  |                 |   |  |
|---|--|-----------------|---|--|
| REV. DATE & DRN<br>TO 24/04/20 - CC RELEASE<br>11 28/12/20 - NYW<br>AHEAD OPERATING TEMP. | Scale: NTS<br>Drawn: CC<br>App'd: XXX<br>Date: 28 DEC. '20 | THIRD ANGLE<br> | Unstated Tolerances:<br>.X N/A<br>.XX N/A<br>.XXX N/A<br>ANGLES N/A | Material<br>SEE NOTE<br>NOT TO SCALE<br>Unit: mm |
|---|--|-----------------|---|--|

|                                       |                  |
|---------------------------------------|------------------|
| Title CABLE ASSEMBLY<br>Revision: 1.1 | www.gradconn.com |
|---------------------------------------|------------------|

|  |
|--|
| Type: Cable 392 RF<br>CABLE 392 RF<br>Drawing Number:<br>Sheet 1 of 1<br>Drawing © E and O E |
|--|

© THIS DRAWING IS CONFIDENTIAL AND MUST NOT BE COPIED OR DISCLOSED WITHOUT WRITTEN CONSENT