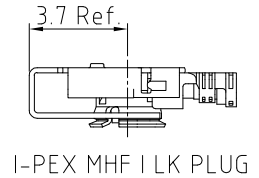


CAB384RF: RF CABLE ASSEMBLY, I-PEX MHF I LK PLUG + 1.37 CABLE +.STRIP/TIN

SPECIFICATIONS :

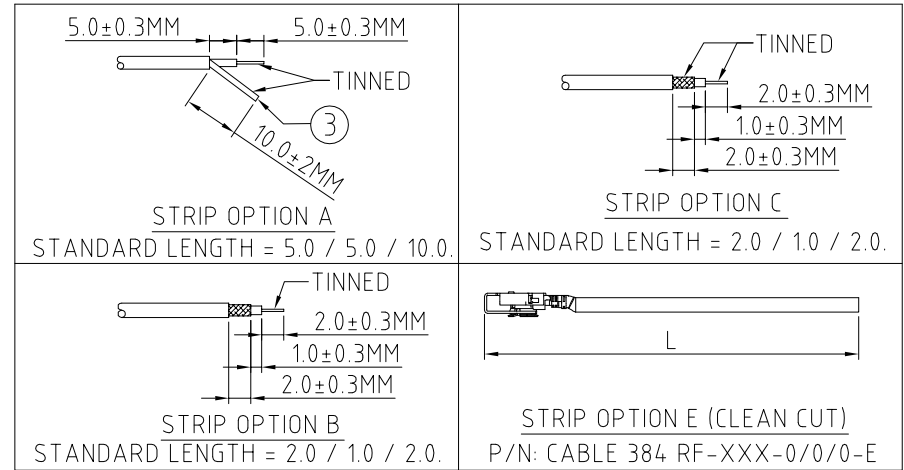
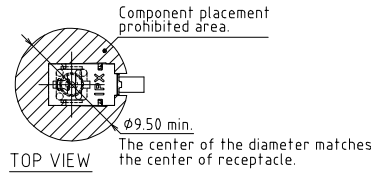
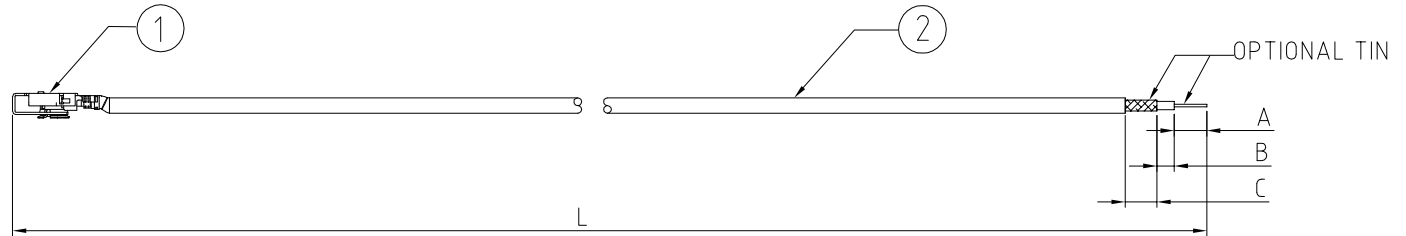
1. I-PEX MHF I PLUG: 20670-001R-37  
LOCK: 3376-000
2. 1.37MM COAXIAL CABLE, COLOR: BLACK
3. TWISTED BRAID OR FLEXIBLE COPPER WIRE, LENGTH = A (CENTRE CONDUCTOR) + B (INSULATOR). MINIMUM = 6.0MM.  
LENGTH 6.0MM - 9.9MM: TWISTED BRAID.  
LENGTH +10MM: FLEXIBLE COPPER WIRE.

**USAGE PRECAUTIONS: CABLES USING 'MICRO' COAX ARE DELICATE:**  
 (i) HANDLE WITH CARE.  
 (ii) DO NOT TWIST; APPLY EXCESSIVE FORCES OR SHARP BENDS TO THE CABLE. DO NOT FORCEFULLY DEFORM WIRES.  
 (iii) CONSULT CONNECTOR MANUFACTURER'S DATASHEETS FOR DETAILED NOTES ON HANDLING INSTRUCTIONS.



NOTES:

1. STRIP DIMENSION A / B / C STANDS FOR  
A = CENTRE CONDUCTOR  
B = INSULATOR  
C = BRAID.
2. INSERTION LOSS TEST REPORT IS NOT AVAILABLE.
3. THIS IS OUR STANDARD OFFERING, SPECIAL DESIGNS ARE AVAILABLE, INCLUDING CUSTOM TOLERANCES AND SPECIAL BRAID TINNING DESIGNS. PLEASE CONTACT GRADCONN FOR MORE INFORMATION.
4. CENTRE CONDUCTOR AND TWISTED BRAID OF COAX CABLE IS TINNED. WHEN BRAID LENGTH EXCEEDS 10MM LENGTH OF TINNED COPPER WIRE IS SOLDERED TO THE BRAID/SHIELD OF THE COAX CABLE WHICH ALLOWS SOLDERING TO PCB.
5. OPERATING TEMPERATURE: -40°C TO +85°C
6. IMPEDANCE: 50 OHM



HOW TO ORDER

CAB384RF - X X X - X.X / X.X / X.X - X

"L" LENGTH IN MM

eg: 100MM = 100  
 (MIN. 025 - MAX. 400)  
 STANDARD : 100, 150, 200)  
 TOLERANCE: <50MM: ±2MM  
 51-200MM: ±5MM  
 201-400MM: ±7MM

A/B/C STRIP DIMENSION IN MM  
 FOR STANDARD LENGTH PLEASE  
 REFER TO DRAWINGS.  
 (SPECIALS AVAILABLE UPON  
 REQUEST.)

STRIP AND TIN OPTIONS:

- A = CENTER CONDUCTOR & TWISTED BRAID/SOLDERED COPPER WIRE TINNED (SEE NOTE 4 FOR SOLDER TO PCB APPLICATION)
- B = STRIPPED, END A TINNED
- C = STRIPPED, END A & C TINNED
- E = CLEAN CUT

REV. DATE & DRN  
 10 06/03/20 - CC RELEASE  
 11 30/06/20 - NYW  
 ADD NOTES 3 & 6  
 12 ADD MHF I LK PROHIBITED AREA  
 CHANGE P/N NUMBERING  
 14 04/12/20 - NYW  
 AMEND MHF I LK P/N

Scale: NTS	THIRD ANGLE	Unstated .X .XX .XXX ANGLES	Tolerances: N/A N/A N/A N/A	Material SEE NOTE
Drawn: CC				NOT TO SCALE
App'd: XXX	Title CABLE ASSEMBLY			Unit: mm
Date: 4 DEC. '20	Revision: 1.3			

www.gradconn.com

Type: Cable 384 RF
CAB384RF
Drawing Number:
Sheet 1 of 1
Drawing © E and O E

THIS DRAWING IS CONFIDENTIAL AND MUST NOT BE COPIED OR DISCLOSED WITHOUT WRITTEN CONSENT