

CABLE 383 RF: RF CABLE ASSEMBLY, MMCX R/A PLUG + RP N STRAIGHT BULKHEAD JACK W/O-RING RATED TO IP67/68 + RG178 CABLE, 6GHz

SPECIFICATIONS:

1. MMCX R/A PLUG, P/N: RFCT-MMCX003-M78.
2. RG178 COAXIAL CABLE, COLOR: BROWN.
3. RP N STRAIGHT BULKHEAD JACK WITH O-RING RATED TO IP67/68, P/N: RFCT-N008-F78.

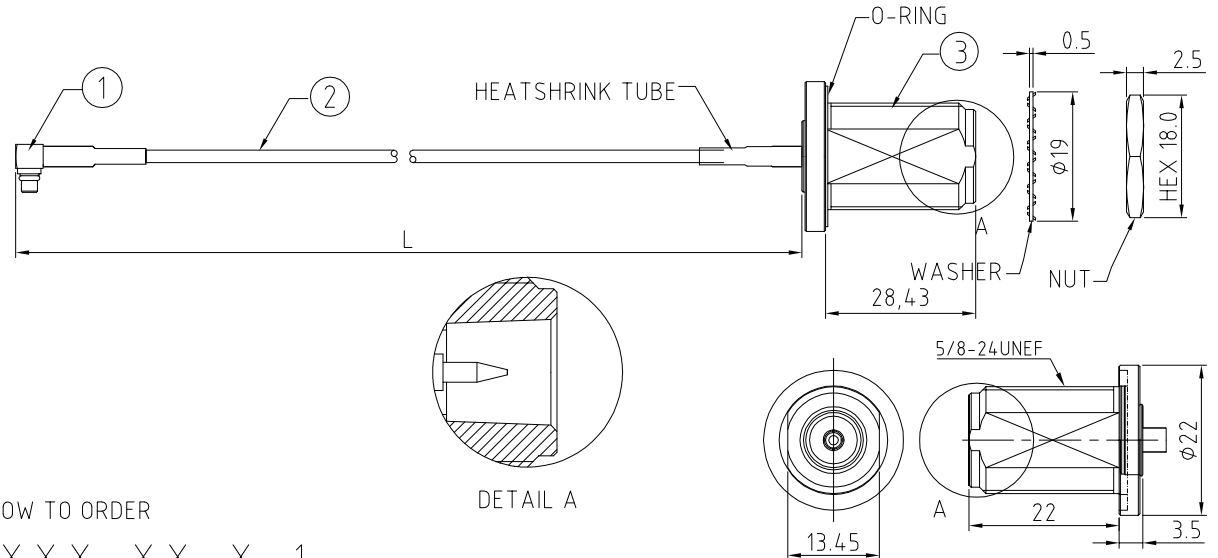
USAGE PRECAUTIONS: CABLES USING 'MICRO' COAX ARE DELICATE:
 (i) HANDLE WITH CARE.
 (ii) DO NOT TWIST; APPLY EXCESSIVE FORCES OR SHARP BENDS TO THE CABLE. DO NOT FORCEFULLY DEFORM WIRES.
 (iii) CONSULT CONNECTOR MANUFACTURER'S DATASHEETS FOR DETAILED NOTES ON HANDLING INSTRUCTIONS.

ENVIRONMENTAL:

- A. BULKHEAD MOUNTED CONNECTOR (RFCT-N008-F78) RATED TO THE FOLLOWING SPECIFICATION:
- i. IP6X - DUST TIGHT - NO PARTICLE INGRESS.
 - ii. IPX7 WATERPROOF FOR 30 MINUTES UP TO 1 METER UNDERWATER.
 - iii. IPX8 WATERPROOF FOR 48 HOURS AT 1 METER UNDERWATER.

NOTES:

1. THE ORIENTATION OF CONNECTORS ON DRAWING IS FOR REFERENCE ONLY, IF THE ORDER IS LEFT BLANK THE CONNECTOR WILL NOT HAVE FIXED ORIENTATION.
2. FIXED ORIENTATION IS SUGGESTED FOR CABLE LENGTH 25MM TO 100MM. PLEASE SPECIFY THE FIXED ORIENTATIONS FROM THE ORDER CODE (F1, F2, ETC)
3. CONTACT GRAD CONN IF THE ORIENTATION YOU REQUIRE IS NOT SHOWN.
4. WORKING FREQUENCY RANGE: DC-6GHz
5. OPERATING TEMPERATURE: -40°C TO +125°C
6. IMPEDANCE: 50 OHM.



HOW TO ORDER

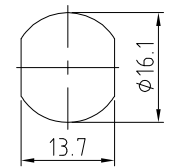
CABLE 383 RF - XXX - XX - X - 1 CABLE SIZE:
 1 = RG178 CABLE, COLOR: BROWN

"L" LENGTH IN MM
 eg: 100MM = 100
 (MIN. 025-MAX.400)
 STANDARD = 100, 150, 200)
 Tolerance: <50mm : ±2mm.
 51-200mm: ±5mm.
 201-400mm: ±7mm.

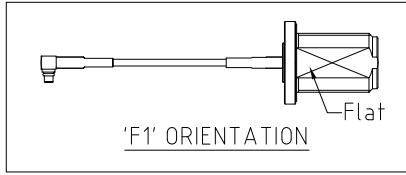
WASHER AND NUT OPTIONS:
 BLANK = SEPARATELY PACKED (STANDARD)
 A = ASSEMBLED WITH CONNECTOR

ORIENTATION OPTIONS:
 BLANK = DOES NOT HAVE A FIXED ORIENTATION
 F1 = MMCX CONNECTION DOWN OR UP(L=25-200MM)
 (SEE NOTES 1, 2, 3 AND DIAGRAMS FOR MORE INFORMATION)

N DETAIL DRAWING



RECOMMENDED N MOUNTING HOLE (TOLERANCE: ±0.07)



Scale: NTS	THIRD ANGLE	Unstated: X, XX, XXX ANGLES	Tolerances: N/A, N/A, N/A, N/A
Drawn: NYW		Title: CABLE ASSEMBLY	
App'd: XXX	Revision: 1.1	Unit: mm	

IP67/68 Rated Cables

www.gradconn.com

Type: Cable 383 RF
CABLE 383 RF
Drawing Number:
Sheet 1 of 1
Drawing © E and O E

REV. DATE & DRN
 1.0 26/02/20 - NYW RELEASE
 1.1 Amend OPERATING TEMP.