

CABLE 360 RF: SMA STRAIGHT PLUG + BNC STRAIGHT BULKHEAD JACK WITH O-RING RATED TO IP67/68 + RG174 CABLE

SPECIFICATIONS:

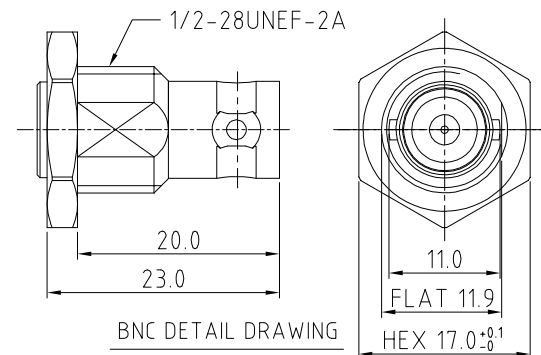
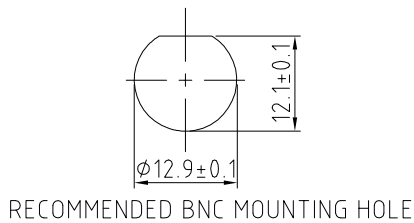
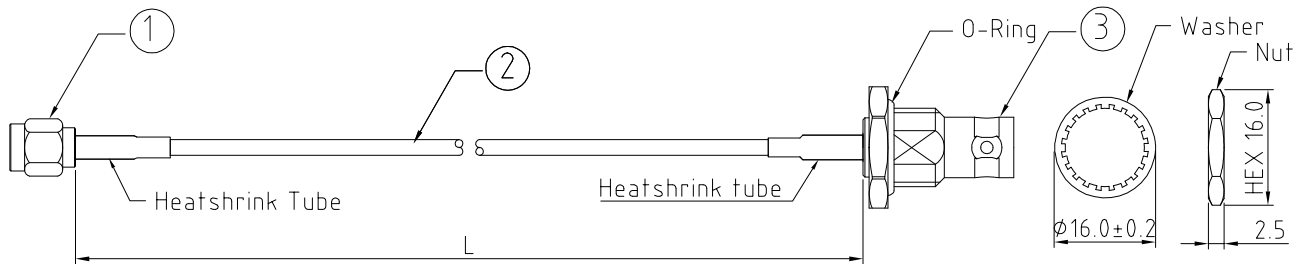
1. SMA STRAIGHT PLUG, P/N: RFCT-SMA027-M74.
2. RG174 COAXIAL CABLE, COLOR: BLACK.
3. BNC STRAIGHT BULKHEAD JACK WITH O-RING RATED TO IP67/68, P/N: RFCT-BNC001-F74.

ENVIRONMENTAL:

- A. BULKHEAD MOUNTED CONNECTOR (RFCT-BNC001-F74) TESTED TO THE FOLLOWING SPECIFICATION:
- i. IP6X - DUST TIGHT - NO PARTICLE INGRESS.
  - ii. IPX7 WATERPROOF FOR 30 MINUTES UP TO 1 METER UNDERWATER.
  - iii. IPX8 WATERPROOF FOR 48 HOURS AT 1 METER UNDERWATER.
  - iv. IPX8 WATERPROOF FOR 12 HOURS AT 5 METERS UNDERWATER.
  - v. PRESSURE TEST - 1 BAR FOR 10 SECONDS.

NOTES:

1. WORKING FREQUENCY RANGE: DC-3GHz.
2. OPERATING TEMPERATURE: -40°C TO +80°C.
3. IMPEDANCE: 50 OHM



HOW TO ORDER

CABLE 360 RF - X X X X - X - 1

"L" LENGTH IN MM  
 eg: 100MM = 0100  
 (MIN. = 0050, MAX. = 2000, STANDARD = 0100, 0150, 0200)  
 Tolerance: 50-200mm: ±5mm.  
 201-500mm: ±7mm.  
 >500mm: ±10mm.

CABLE SIZE:  
 1 = RG174 CABLE, COLOR: BLACK

O-RING, WASHER AND NUT OPTIONS:  
 BLANK = SEPARATELY PACKED (STANDARD)  
 A = ASSEMBLED WITH CONNECTOR

REV. DATE & DRN TO 22/10/19 - INTX RELEASE

Scale: NTS	THIRD ANGLE	Unstated X .XX .XXX ANGLES	Tolerances: N/A N/A N/A N/A
Drawn: NYW			
App'd: XXX	Title CABLE ASSEMBLY		
Date: 22 OCT. '19	Revision: 1.0	Unit: mm	

IP67/68 Rated Cables

www.gradconn.com

Type: Cable 360 RF
CABLE 360 RF
Drawing Number:
Sheet 1 of 1
Drawing © E and O E