

CABLE 345 RF: SMP R/A JACK + TNC 4 HOLES FLANGE MOUNT BULKHEAD JACK WITH O-RING RATED TO IP67/68 + HABIA 0.085SF CABLE

SPECIFICATIONS:

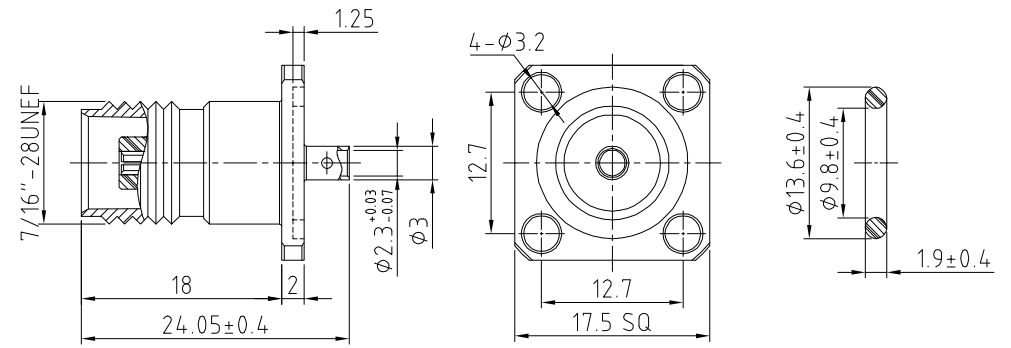
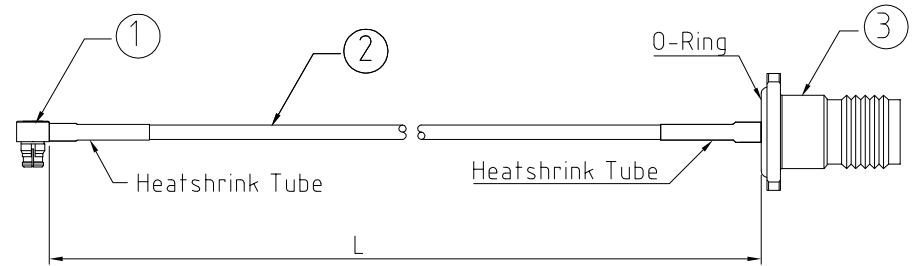
1. SMP RIGHT ANGLE JACK, P/N: RFCT-SMP003-F85.
2. HABIA FLEXIFORM 405, 0.085" SEMI FLEX CABLE, MAGNETIC, 50 OHM.
3. TNC STRAIGHT 4 HOLES FLANGE MOUNT BULKHEAD JACK WITH O-RING RATED TO IP67/68, P/N: RFCT-TNC013-F85.

ENVIRONMENTAL:

- A. BULKHEAD MOUNTED CONNECTOR (RFCT-TNC013-F85) TESTED TO THE FOLLOWING SPECIFICATION:
- i. IP6X - DUST TIGHT - NO PARTICLE INGRESS.
 - ii. IPX8 WATERPROOF 30 MINUTES AT 20 METERS UNDERWATER.
- AND RATED TO:
- i. IPX7 WATERPROOF FOR 30 MINUTES UP TO 1 METER UNDERWATER.

NOTES:

1. THE ORIENTATION OF CONNECTORS ON DRAWING IS FOR REFERENCE ONLY.
2. WORKING FREQUENCY RANGE: DC-6GHz.
3. OPERATING TEMPERATURE: -40°C~+150°C.
4. IMPEDANCE: 50 OHM.

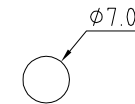


TNC DETAIL DRAWING

HOW TO ORDER
CABLE 345 RF - X X X X - 1

"L" LENGTH IN MM
eg: 100MM = 0100
(MIN. = 0040, MAX. = 2000,
STANDARD = 0100, 0150, 0200)
Tolerance: 50mm: ±2mm.
50-200mm: ±5mm.
201-500mm: ±7mm.
>500mm: ±10mm.

CABLE SIZE:
1 = HABIA 0.085" SF CABLE



RECOMMENDED PANEL CUT OUT

REV. DATE & DRN
10 18/06/19 - NYW RELEASE
11 31/07/18 - NYW ADD PANEL CUT OUT
12 13/03/20 - CC ADD DIM 1.25 ON THE PANEL
13 18/09/20 - NYW UPDATE ENVIRONMENTAL SPEC

Scale: NTS	THIRD ANGLE	Unstated Tolerances:
Drawn: NYW		X N/A
App'd: XXX	Title CABLE ASSEMBLY	.XX N/A
Date: 18 SEP. '20	Revision: 1.3	.XXX N/A
	Unit: mm	ANGLES N/A

NAUTILUS
IP67/68 Rated Cables

GRADCONN
www.gradconn.com

Type: Cable 345 RF
CABLE 345 RF
Drawing Number:
Sheet 1 of 1
Drawing © E and O E