



CABLE 333 RF: I-PEX MHF I LK PLUG + RP SMA STRAIGHT BULKHEAD JACK + 1.13MM CABLE

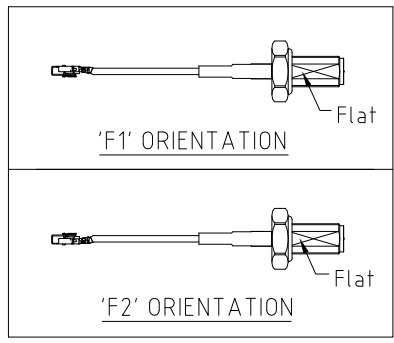
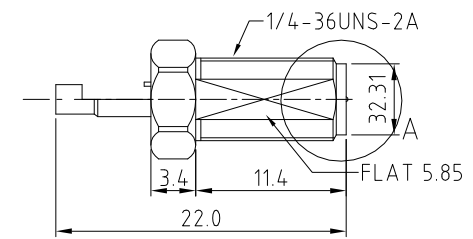
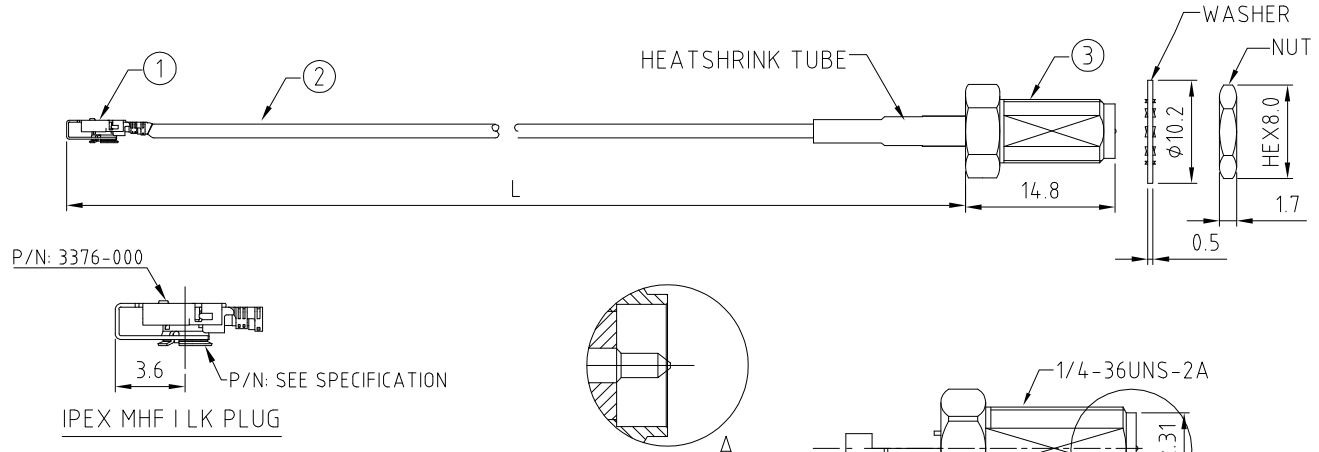
SPECIFICATIONS :

1. I-PEX MHF I LK PLUG, P/N:
FOR ϕ 1.13MM CABLE: 20278-112R-13 + 3367-000.
2. COAXIAL CABLE, SEE P/N OPTIONS.
3. RP SMA STRAIGHT BULKHEAD JACK, P/N: RFCT-SMA018-F08.

NOTES:

1. THE ORIENTATION OF CONNECTORS ON DRAWING IS FOR REFERENCE ONLY, IF THE ORDER IS LEFT BLANK THE CONNECTOR WILL NOT HAVE FIXED ORIENTATION.
2. FIXED ORIENTATION IS SUGGESTED FOR CABLE LENGTH 25MM TO 100MM. PLEASE SPECIFY THE FIXED ORIENTATIONS FROM THE ORDER CODE (F1, F2, ETC)
3. CONTACT GRAD CONN IF THE ORIENTATION YOU REQUIRE IS NOT SHOWN.
4. WORKING FREQUENCY RANGE: DC-3GHZ.

USAGE PRECAUTIONS: CABLES USING 'MICRO' COAX ARE DELICATE:
 (i) HANDLE WITH CARE.
 (ii) DO NOT TWIST; APPLY EXCESSIVE FORCES OR SHARP BENDS TO THE CABLE. DO NOT FORCEFULLY DEFORM WIRES.
 (iii) CONSULT CONNECTOR MANUFACTURER'S DATASHEETS FOR DETAILED NOTES ON HANDLING INSTRUCTIONS.



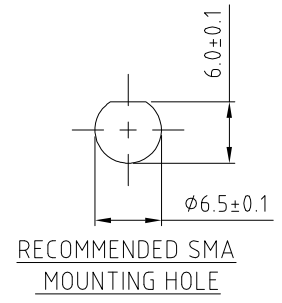
HOW TO ORDER
 CABLE 333 RF - XXX - XX - X - 1

"L" LENGTH IN MM:
 eg: 100MM = 100
 (MIN. 025-MAX.400
 STANDARD = 100, 150, 200)
 Tolerance: 50-200mm: ± 5 mm.
 201-400mm: ± 7 mm.

CABLE SIZE:
 1 = ϕ 1.13MM CABLE, COLOR: GRAY

WASHER AND NUT OPTIONS:
 BLANK = SEPARATELY PACKED (STANDARD)
 A = ALL ASSEMBLED WITH CONNECTOR

ORIENTATION OPTIONS:
 BLANK = DOES NOT HAVE A FIXED ORIENTATION
 F1 = MHF CONNECTION DOWN (L=25-200MM)
 F2 = MHF CONNECTION UP (L=25-200MM)
 (SEE NOTES 1, 2, 3 AND DIAGRAMS FOR MORE INFORMATION)



REV. DATE & DRN
 1.0 10/07/19 - NYW RELEASE
 1.1 28/03/19 - NYW
 AMEND SMA DESCRIPTION

Scale: NTS	THIRD ANGLE	Unstated: .X, .XX, .XXX	Tolerances: N/A, N/A, N/A	Material: SEE NOTE
Drawn: NYW		ANGLES		
App'd: XXX	Title: CABLE ASSEMBLY	NOT TO SCALE		
Date: 28 MAR. '19	Revision: 1.1	Unit: mm		

THIS DRAWING IS CONFIDENTIAL AND MUST NOT BE COPIED OR DISCLOSED WITHOUT WRITTEN CONSENT

Type: Cable 333 RF
CABLE 333 RF
Drawing Number:
Sheet 1 of 1
Drawing © E and O E