

CABLE 328 RF: RF CABLE ASSEMBLY, HIROSE U.FL + TNC STRAIGHT BULKHEAD JACK W/O-RING RATED TO IP67/68 + 1.37MM CABLE

SPECIFICATIONS:

- HIROSE U.FL PLUG, P/N: U.FL-LP-088.
- Ø1.37MM COAXIAL CABLE, COLOR: BLACK.
- TNC STRAIGHT BULKHEAD JACK WITH O-RING RATED TO IP67/68, P/N: RFCT-TNC006-F78.

ENVIRONMENTAL:

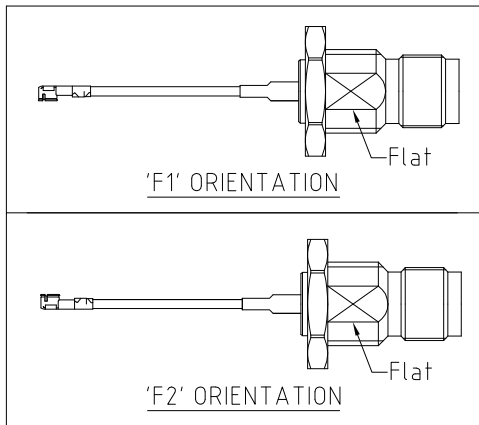
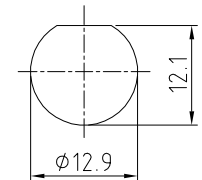
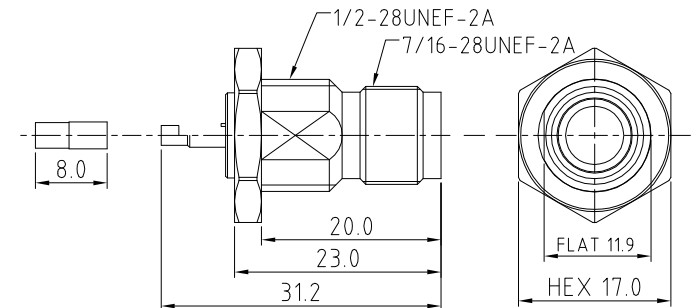
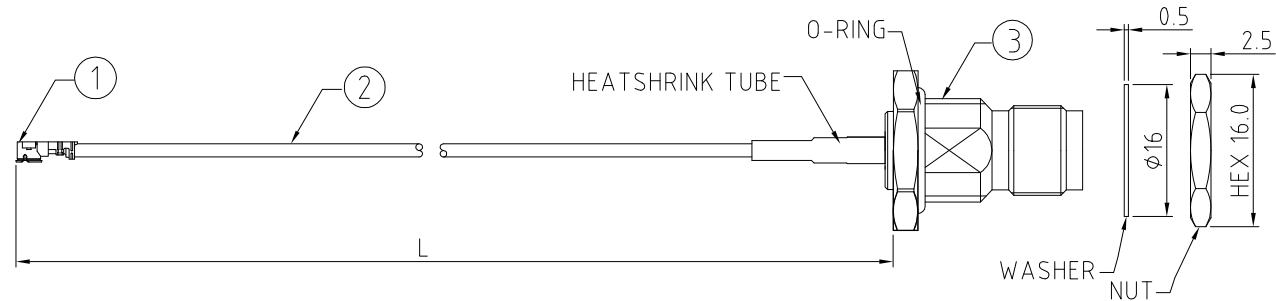
- A. BULKHEAD MOUNTED CONNECTOR (RFCT-TNC006-F78) RATED TO THE FOLLOWING SPECIFICATION:
- IP6X - DUST TIGHT - NO PARTICLE INGRESS.
 - IPX7 WATERPROOF FOR 30 MINUTES UP TO 1 METER UNDERWATER.
 - IPX8 WATERPROOF FOR 48 HOURS AT 1 METER UNDERWATER.

NOTES:

- THE ORIENTATION OF CONNECTORS ON DRAWING IS FOR REFERENCE ONLY, IF THE ORDER IS LEFT BLANK THE CONNECTOR WILL NOT HAVE FIXED ORIENTATION.
- FIXED ORIENTATION IS SUGGESTED FOR CABLE LENGTH 25MM TO 100MM. PLEASE SPECIFY THE FIXED ORIENTATIONS FROM THE ORDER CODE (F1, F2, ETC)
- CONTACT GRAD CONN IF THE ORIENTATION YOU REQUIRE IS NOT SHOWN.
- WORKING FREQUENCY RANGE: DC-3GHz

USAGE PRECAUTIONS: CABLES USING 'MICRO' COAX ARE DELICATE:

- HANDLE WITH CARE.
- DO NOT TWIST; APPLY EXCESSIVE FORCES OR SHARP BENDS TO THE CABLE. DO NOT FORCEFULLY DEFORM WIRES.
- CONSULT CONNECTOR MANUFACTURER'S DATASHEETS FOR DETAILED NOTES ON HANDLING INSTRUCTIONS.



HOW TO ORDER

CABLE 328 RF - X X X - XX - X - 1 CABLE SIZE :
 1 = Ø1.37MM CABLE, COLOR: BLACK

"L" LENGTH IN MM
 eg: 100MM = 100
 (MIN. 025-MAX.400
 STANDARD = 100, 150, 200)
 Tolerance: <50mm : ±2mm.
 51-200mm: ±5mm.
 201-400mm: ±7mm.

WASHER AND NUT OPTIONS:
 BLANK = SEPARATELY PACKED (STANDARD)
 A = ASSEMBLED WITH CONNECTOR

ORIENTATION OPTIONS:
 BLANK = DOES NOT HAVE A FIXED ORIENTATION
 F1 = U.FL CONNECTION DOWN (L=25-200MM)
 F2 = U.FL CONNECTION UP (L=25-200MM)
 (SEE NOTES 1, 2, 3 AND DIAGRAMS FOR MORE INFORMATION)

RECOMMENDED TNC MOUNTING HOLE
 (TOLERANCE: ±0.1)

REV. DATE & DRN TO 30/10/18 - NYW RELEASE

Scale: NTS	THIRD ANGLE	Unstated X XX XXX ANGLES	Tolerances: N/A N/A N/A N/A
Drawn: NYW			
App'd: XXX	Title CABLE ASSEMBLY		
Date: 30 OCT. '18	Revision: 1.0	Unit: mm	

IP67/68 Rated Cables

www.gradconn.com

Type: Cable 328 RF
CABLE 328 RF
Drawing Number:
Sheet 1 of 1
Drawing © E and O E