

CABLE 327 RF: SMA RIGHT ANGLE PLUG + TNC STRAIGHT BULKHEAD JACK WITH O-RING RATED TO IP67/68 + MULTIPLE CABLE SIZES

SPECIFICATIONS:

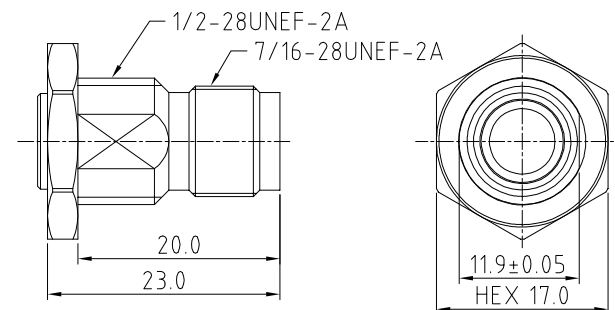
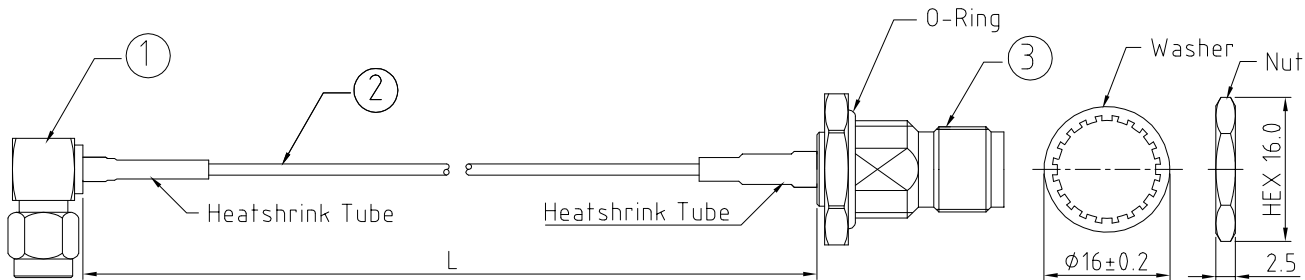
1. SMA RIGHT ANGLE PLUG, P/N:  
FOR  $\phi 1.32$ MM CABLE: RFCT-SMA052-M32.  
FOR RG178 CABLE: RFCT-SMA025-M78.
2. COAXIAL CABLE, REFER TO P/N FOR DETAIL.
3. TNC STRAIGHT BULKHEAD JACK WITH O-RING RATED TO IP67/68, P/N:  
RFCT-TNC006-F78.

ENVIRONMENTAL:

- A. BULKHEAD MOUNTED CONNECTOR (RFCT-TNC006-F78) RATED TO THE FOLLOWING SPECIFICATION:
  - i. IP6X - DUST TIGHT - NO PARTICLE INGRESS.
  - ii. IPX7 WATERPROOF FOR 30 MINUTES UP TO 1 METER UNDERWATER.
  - iii. IPX8 WATERPROOF FOR 48 HOURS AT 1 METER UNDERWATER.

NOTES:

1. THE ORIENTATION OF CONNECTORS ON DRAWING IS FOR REFERENCE ONLY, IF THE ORDER IS LEFT BLANK THE CONNECTOR WILL NOT HAVE FIXED ORIENTATION.
2. FIXED ORIENTATION IS SUGGESTED FOR CABLE LENGTH 50MM TO 100MM. PLEASE SPECIFY THE FIXED ORIENTATIONS FROM THE ORDER CODE (F1, F2, ETC)
3. CONTACT GRAD CONN IF THE ORIENTATION YOU REQUIRE IS NOT SHOWN.
4. WORKING FREQUENCY RANGE: DC-3GHz
5. IMPEDANCE: 50 OHM
6. OPERATING TEMPERATURE: -40°C TO +125°C.



TNC DETAIL DRAWING

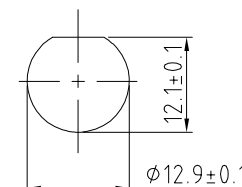
HOW TO ORDER  
CABLE 327 RF - XXXX - XX - X - X

- CABLE SIZE OPTIONS:  
1 =  $\phi 1.32$ MM DOUBLE SHIELDING CABLE, COLOR: BLACK  
2 = RG178 CABLE, COLOR: BROWN

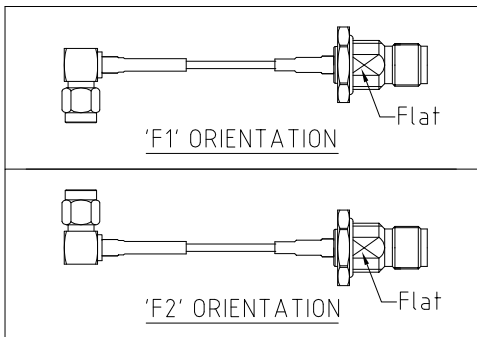
"L" LENGTH IN MM  
eg: 100MM = 0100  
(MIN. = 0050, MAX. = 2000,  
STANDARD = 0100, 0150, 0200)  
Tolerance: 50-200mm:  $\pm 5$ mm.  
201-500mm:  $\pm 7$ mm.  
>500mm:  $\pm 10$ mm.

WASHER AND NUT OPTIONS:  
BLANK = SEPARATELY PACKED (STANDARD)  
A = ASSEMBLED WITH CONNECTOR

ORIENTATION OPTIONS:  
BLANK = DOES NOT HAVE A FIXED ORIENTATION  
F1 = SMA CONNECTION DOWN (L=50-200MM)  
F2 = SMA CONNECTION UP (L=50-200MM)  
(SEE NOTES 1, 2, 3 AND DIAGRAMS FOR MORE INFORMATION)



RECOMMENDED TNC MOUNTING HOLE



REV. DATE & DRN  
TO: 30/07/18 - INTX RELEASE  
11. 14/03/19 - NYW  
12. 03/07/19 - ESC OPTION  
13. 03/07/19 - ESC OPTION  
14. 03/07/19 - ADD RFCT CABLE OPTION  
ADD NOTES 5 & 6

Scale: NTS	THIRD ANGLE	Unstated X XX XXX ANGLES	Tolerances: N/A N/A N/A N/A
Drawn: NYW			
App'd: XXX	Title CABLE ASSEMBLY		
Date: 3 SEP. '20	Revision: 1.2	Unit: mm	

IP67/68 Rated Cables

www.gradconn.com

Type: Cable 327 RF
CABLE 327 RF
Drawing Number:
Sheet 1 of 1
Drawing © E and O E