



CABLE 324 RF: SMP R/A JACK + FRONT MOUNT RP TNC BULKHEAD WITH O-RING RATED TO IP67/68 + ϕ 1.37MM CABLE

SPECIFICATIONS :

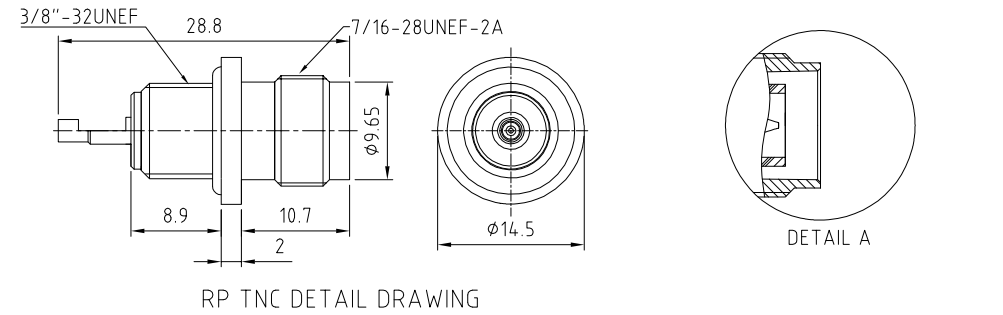
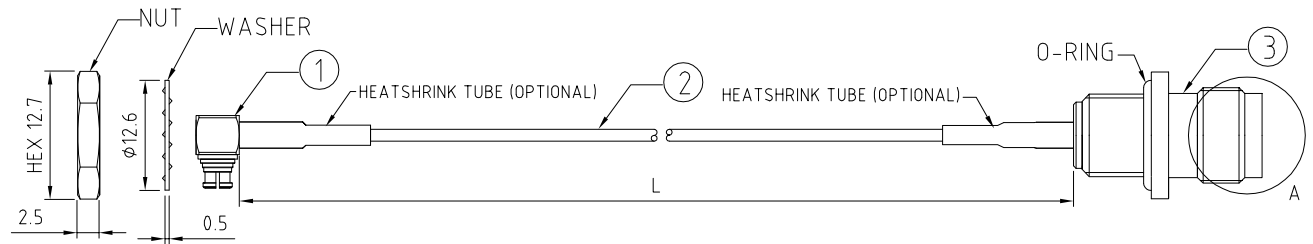
1. SMP RIGHT ANGLE JACK, P/N: RFCT-SMP001-F37.
2. ϕ 1.37MM COAXIAL CABLE, COLOR: BLACK.
3. FRONT MOUNT RP TNC BULKHEAD JACK WITH O-RING RATED TO IP67/68, P/N: RFCT-TNC003-F78.

ENVIRONMENTAL:

- A. BULKHEAD MOUNTED CONNECTOR (RFCT-TNC003-F78) RATED TO THE FOLLOWING SPECIFICATION:
- i. IP6X - DUST TIGHT - NO PARTICLE INGRESS.
 - ii. IPX7 WATERPROOF FOR 30 MINUTES UP TO 1 METER UNDERWATER.
 - iii. IPX8 WATERPROOF FOR 48 HOURS AT 1 METER UNDERWATER.

NOTES:

1. WORKING FREQUENCY RANGE: DC-3GHz
2. IT IS INTENDED THAT MOUNTING OF THIS CONNECTOR IS ACHIEVED USING THE NUT AND WASHER PROVIDED. PLEASE CONTACT GRADCONN FOR ADVISE IF PLANNING TO USE A DIFFERENT METHOD OF MOUNTING.



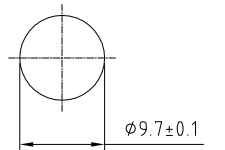
HOW TO ORDER
CABLE 324 RF - X X X X - X - 1 - X X

"L" LENGTH IN MM:
eg: 100MM = 0100
(MIN. 0050 - MAX. 2000)
STANDARD = 0100, 0150, 0200
Tolerance: \pm 50mm : \pm 2mm.
51-200mm: \pm 5mm.
201-500mm: \pm 7mm.
>500mm: \pm 10mm.

HEATSHRINK TUBES OPTIONS:
BLANK = WITH HEATSHRINK TUBES (STANDARD)
NT = WITHOUT HEATSHRINK TUBES

CABLE SIZE OPTIONS:
1 = ϕ 1.37MM CABLE, COLOR: BLACK.

WASHER AND NUT OPTIONS:
BLANK = SEPARATELY PACKED (STANDARD)
A = ASSEMBLED WITH CONNECTOR



RECOMMENDED TNC MOUNTING HOLE

REV. DATE & DRN
1.0 28/09/18 - NYW RELEASE
1.1 16/10/20 - NYW
ADD NOTE 2.

Scale: NTS	THIRD ANGLE	Unstated .X .XX .XXX ANGLES	Tolerances: N/A N/A N/A N/A
Drawn: NYW			
App'd: XXX	Title: CABLE ASSEMBLY		
Date: 16 OCT. '20	Revision: 1.1	Unit: mm	



IP67/68 Rated Cables

www.gradconn.com

THIS DRAWING IS CONFIDENTIAL AND MUST NOT BE COPIED OR DISCLOSED WITHOUT WRITTEN CONSENT

Type: Cable 324 RF
CABLE 324 RF
Drawing Number:
Sheet 1 of 1
Drawing E and O E