

CABLE 316 RF: SMA STRAIGHT PLUG + TNC STRAIGHT BULKHEAD JACK WITH O-RING RATED TO IP67/68 + RG178 CABLE

SPECIFICATIONS:

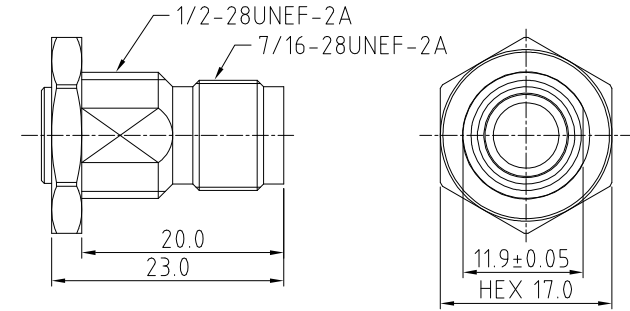
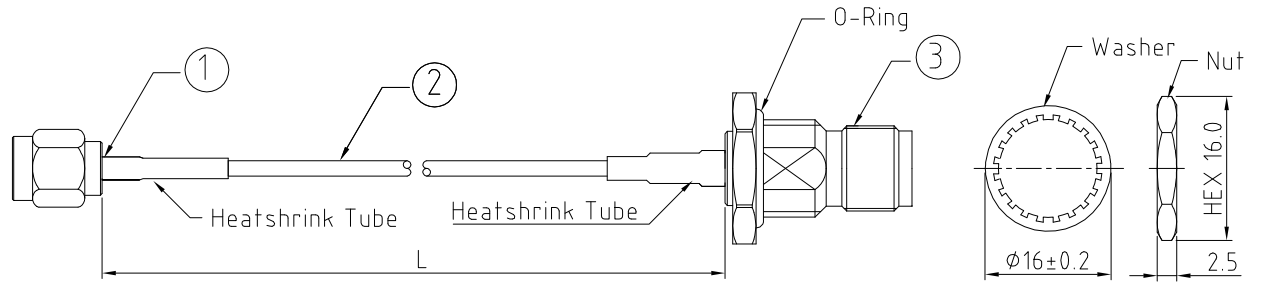
1. SMA STRAIGHT PLUG, P/N: RFCT-SMA022-M78.
2. COAXIAL CABLE, SEE P/N OPTIONS FOR DETAIL.
3. TNC STRAIGHT BULKHEAD JACK WITH O-RING RATED TO IP67/68, P/N: RFCT-TNC006-F78.

ENVIRONMENTAL:

- A. BULKHEAD MOUNTED CONNECTOR (RFCT-TNC006-F78) RATED TO THE FOLLOWING SPECIFICATION:
- i. IP6X - DUST TIGHT - NO PARTICLE INGRESS.
 - ii. IPX7 WATERPROOF FOR 30 MINUTES UP TO 1 METER UNDERWATER.
 - iii. IPX8 WATERPROOF FOR 48 HOURS AT 1 METER UNDERWATER.

NOTES:

1. WORKING FREQUENCY RANGE: DC-3GHz.



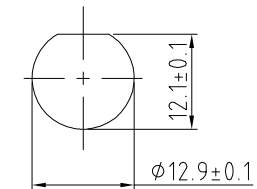
TNC DETAIL DRAWING

HOW TO ORDER
CABLE 316 RF - X X X X - X - X

"L" LENGTH IN MM
eg: 100MM = 0100
(MIN. = 0050, MAX. = 2000,
STANDARD = 0100, 0150, 0200)
Tolerance: 50-200mm: ±5mm.
201-500mm: ±7mm.
>500mm: ±10mm.

CABLE SIZE OPTIONS:
1 = RG178 CABLE, COLOR: BROWN

WASHER AND NUT OPTIONS:
BLANK = SEPARATELY PACKED (STANDARD)
A = ASSEMBLED WITH CONNECTOR



RECOMMENDED TNC MOUNTING HOLE

REV. DATE & DRN TO 10/07/18 - NYW RELEASE

Scale: NTS	THIRD ANGLE	Unstated: X	Tolerances: N/A
Drawn: NYW		.XX	N/A
App'd: XXX	Title: CABLE ASSEMBLY	.XXX	N/A
Date: 10 JUL '18	Revision: 1.0	ANGLES	N/A
	Unit: mm		

IP67/68 Rated Cables

www.gradconn.com

Type: Cable 316 RF
CABLE 316 RF
Drawing Number:
Sheet 1 of 1
Drawing © E and O E