

CABLE 308 RF: I-PEX MHF + SMA RIGHT ANGLE BULKHEAD JACK WITH O-RING RATED TO IP67/68 + RG178 CABLE

SPECIFICATIONS :

1. I-PEX MHF PLUG, P/N: 20278-112R-18.
2. RG178 COAXIAL CABLE, COLOR: BROWN.
3. SMA RIGHT ANGLE BULKHEAD JACK WITH O-RING RATED TO IP67/68, P/N: RFCT-SMA043-F78.

ENVIRONMENTAL:

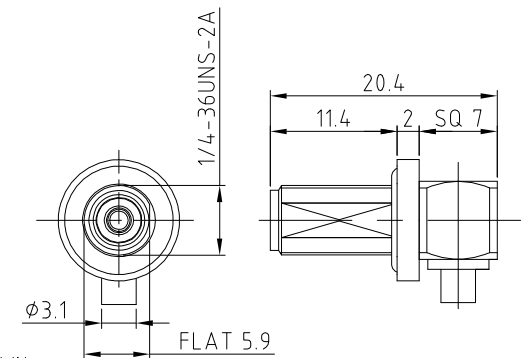
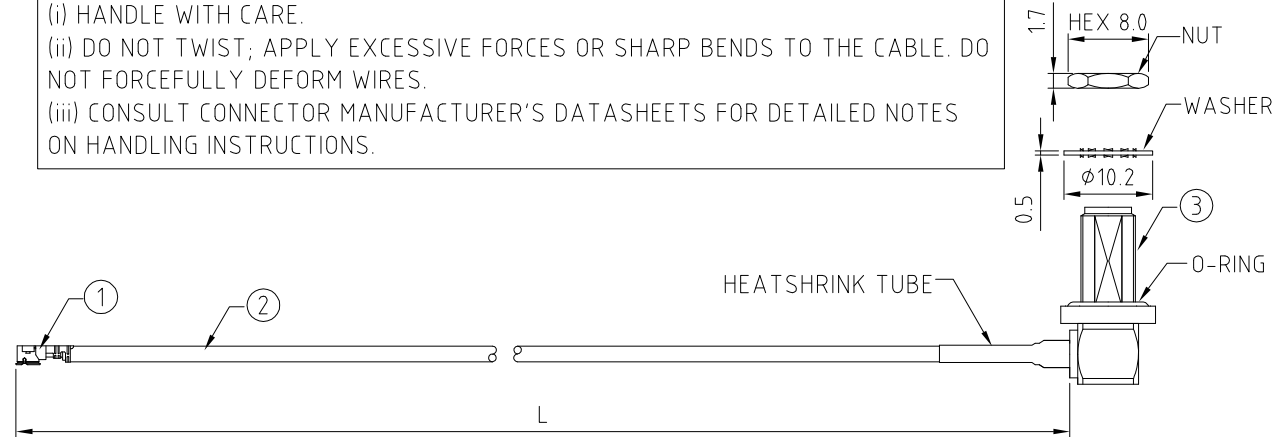
- A. BULKHEAD MOUNTED CONNECTOR (RFCT-SMA043-F78) RATED TO THE FOLLOWING SPECIFICATION:
- i. IP6X - DUST TIGHT - NO PARTICLE INGRESS.
 - ii. IPX7 WATERPROOF FOR 30 MINUTES UP TO 1 METER UNDERWATER.
 - iii. IPX8 WATERPROOF FOR 48 HOURS AT 1 METER UNDERWATER.

NOTES:

1. THE ORIENTATION OF CONNECTORS ON DRAWING IS FOR REFERENCE ONLY, IF THE ORDER IS LEFT BLANK THE CONNECTOR WILL NOT HAVE FIXED ORIENTATION.
2. FIXED ORIENTATION IS SUGGESTED FOR CABLE LENGTH 25MM TO 100MM. PLEASE SPECIFY THE FIXED ORIENTATIONS FROM THE ORDER CODE (F1, F2, ETC)
3. CONTACT GRADCONN IF THE ORIENTATION YOU REQUIRE IS NOT SHOWN.
4. WORKING FREQUENCY RANGE: DC-3GHz.

USAGE PRECAUTIONS: CABLES USING 'MICRO' COAX ARE DELICATE:

- (i) HANDLE WITH CARE.
- (ii) DO NOT TWIST; APPLY EXCESSIVE FORCES OR SHARP BENDS TO THE CABLE. DO NOT FORCEFULLY DEFORM WIRES.
- (iii) CONSULT CONNECTOR MANUFACTURER'S DATASHEETS FOR DETAILED NOTES ON HANDLING INSTRUCTIONS.



HOW TO ORDER

CABLE 308 RF - XXX - XX - X - 1

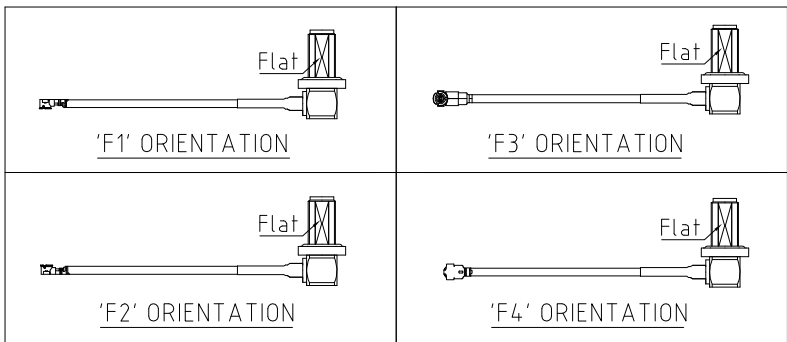
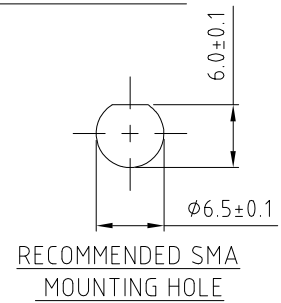
"L" LENGTH IN MM:
 eg: 100MM = 100
 (MIN. 025-MAX.400
 STANDARD = 100, 150, 200)
 Tolerance: 50-200mm: ±5mm.
 201-400mm: ±7mm.

CABLE SIZE:
 1 = RG178 CABLE, COLOR: BROWN

WASHER AND NUT OPTIONS:
 BLANK = SEPARATELY PACKED (STANDARD)
 A = ASSEMBLED WITH CONNECTOR

ORIENTATION OPTIONS:
 BLANK = DOES NOT HAVE A FIXED ORIENTATION
 F1 = OPPOSITE ORIENTATION (L=25-200MM)
 F2 = SAME ORIENTATION (L=25-200MM)
 F3 = LEFT CONNECTION SAME AS D-FLAT (L=25-200MM)
 F4 = LEFT CONNECTION OPPOSITE TO D-FLAT (L=25-200MM)
 (SEE NOTES 1, 2, 3 AND DIAGRAMS FOR MORE INFORMATION)

SMA DETAIL DRAWING



REV. DATE & DRN TO 04/05/18 - NYW RELEASE

Scale: NTS	THIRD ANGLE	Unstated X XX XXX	Tolerances: N/A N/A N/A N/A
Drawn: NYW		ANGLES	N/A
App'd: XXX	Title CABLE ASSEMBLY		
Date: 4 MAY '18	Revision: 1.0	Unit: mm	

		Type: Cable 308 RF
IP67/68 Rated Cables		CABLE 308 RF
www.gradconn.com		Drawing Number:
© THIS DRAWING IS CONFIDENTIAL AND MUST NOT BE COPIED OR DISCLOSED WITHOUT WRITTEN CONSENT		Sheet 1 of 1
		Drawing © E and O E