



CABLE 302 RF: HIROSE U.FL + RP TNC BULKHEAD JACK WITH O-RING RATED TO IP67/68 + 1.32 CABLE

SPECIFICATIONS :

1. HIROSE U.FL PLUG, P/N: U.FL-LP-066.
2. ϕ 1.32MM DUAL SHIELD COAXIAL CABLE, COLOUR: GRAY.
3. RP TNC BULKHEAD JACK WITH O-RING RATED TO IP67/68, P/N: RFCT-TNC004-F78.

ENVIRONMENTAL:

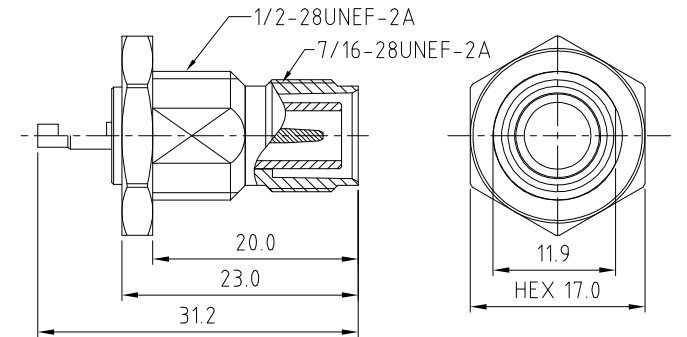
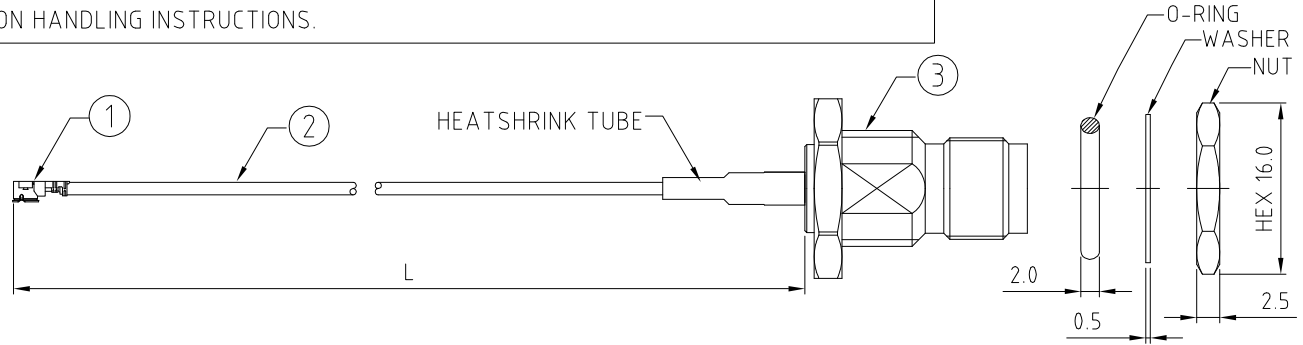
- A. BULKHEAD MOUNTED CONNECTOR (RFCT-TNC004-F78) TESTED TO THE FOLLOWING SPECIFICATION:
- i. IP6X - DUST TIGHT - NO PARTICLE INGRESS.
 - ii. IPX7 WATERPROOF FOR 30 MINUTES UP TO 1 METER UNDERWATER.
 - iii. IPX8 WATERPROOF FOR 48 HOURS AT 1 METER UNDERWATER.
 - iv. IPX8 WATERPROOF FOR 12 HOURS AT 5 METERS UNDERWATER.
 - v. PRESSURE TEST - 1 BAR FOR 10 SECONDS.

NOTES:

1. THE ORIENTATION OF CONNECTORS ON DRAWING IS FOR REFERENCE ONLY, IF THE ORDER IS LEFT BLANK THE CONNECTOR WILL NOT HAVE FIXED ORIENTATION.
2. FIXED ORIENTATION IS SUGGESTED FOR CABLE LENGTH 25MM TO 100MM. PLEASE SPECIFY THE FIXED ORIENTATIONS FROM THE ORDER CODE (F1, F2, ETC)
3. CONTACT GRADCONN IF THE ORIENTATION YOU REQUIRE IS NOT SHOWN.
4. WORKING FREQUENCY RANGE: DC-3GHz.

USAGE PRECAUTIONS: CABLES USING 'MICRO' COAX ARE DELICATE:

- (i) HANDLE WITH CARE.
- (ii) DO NOT TWIST; APPLY EXCESSIVE FORCES OR SHARP BENDS TO THE CABLE. DO NOT FORCEFULLY DEFORM WIRES.
- (iii) CONSULT CONNECTOR MANUFACTURER'S DATASHEETS FOR DETAILED NOTES ON HANDLING INSTRUCTIONS.



TNC DETAIL DRAWING

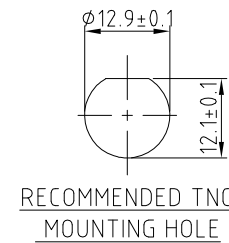
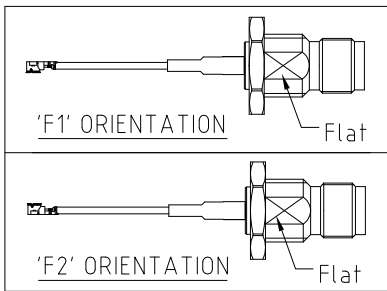
HOW TO ORDER
CABLE 302 RF - X X X - X X - X - 1

"L" LENGTH IN MM:
eg: 100MM = 100
(MIN. 025-MAX.400)
STANDARD = 100, 150, 200)
Tolerance: -50mm : $\pm 2\text{mm}</math>.
51-200mm: $\pm 5\text{mm}</math>.
201-400mm: $\pm 7\text{mm}</math>.$$$

CABLE SIZE:
1 = ϕ 1.32mm DUAL SHIELD CABLE, COLOR: GRAY

O-RING, WASHER AND NUT OPTIONS:
BLANK = SEPARATELY PACKED (STANDARD)
A = ALL ASSEMBLED WITH CONNECTOR

ORIENTATION OPTIONS:
BLANK = DOES NOT HAVE A FIXED ORIENTATION
F1 = U.FL CONNECTION DOWN (L=25-100MM)
F2 = U.FL CONNECTION UP (L=25-100MM)
(SEE NOTES 1, 2, 3 AND DIAGRAMS FOR MORE INFORMATION)



RECOMMENDED TNC MOUNTING HOLE

REV. DATE & DRN
1.0 08/03/18 - NYW RELEASE

Scale: NTS	THIRD ANGLE	Unstated .X .XX .XXX	Tolerances: N/A N/A N/A
Drawn: NYW		ANGLES	N/A
App'd: XXX	Title CABLE ASSEMBLY		
Date: 8 MAR. '18	Revision: 1.0	Unit: mm	

IP67/68 Rated Cables

www.gradconn.com

Type: Cable 302 RF
CABLE 302 RF
Drawing Number:
Sheet 1 of 1
Drawing © E and O E