

CABLE 298 RF: HIROSE H.FL PLUG + SMA FRONT MOUNT S/T BULKHEAD JACK WITH O-RING RATED TO IP67/68 + 1.32MM CABLE

SPECIFICATIONS :

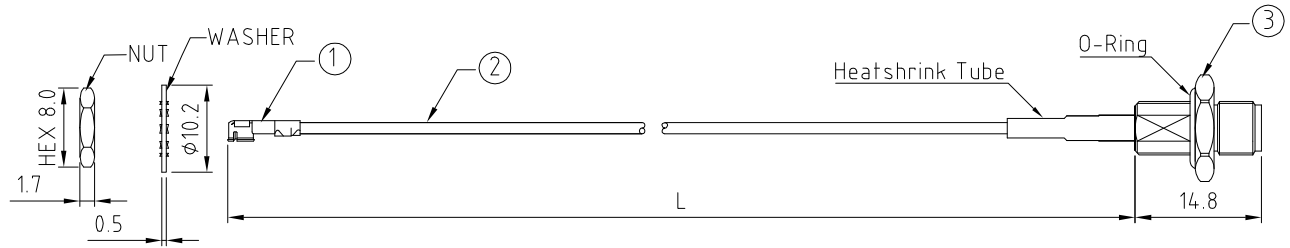
1. HIROSE H.FL PLUG, P/N: H.FL-LP.
2.  $\phi$ 1.32MM COAXIAL CABLE, COLOR: GRAY.
3. FRONT MOUNT SMA STRAIGHT BULKHEAD JACK WITH O-RING RATED TO IP67/68, P/N: RFCT-SMA003-F78.

ENVIRONMENTAL:

- A. BULKHEAD MOUNTED CONNECTOR (RFCT-SMA003-F78) TESTED TO THE FOLLOWING SPECIFICATION:
- i. IP6X - DUST TIGHT - NO PARTICLE INGRESS.
  - ii. IPX7 WATERPROOF FOR 30 MINUTES UP TO 1 METER UNDERWATER.
  - iii. IPX8 WATERPROOF FOR 48 HOURS AT 1 METER UNDERWATER.
  - iv. IPX8 WATERPROOF FOR 12 HOURS AT 5 METERS UNDERWATER.
  - v. PRESSURE TEST - 1 BAR FOR 10 SECONDS.

**USAGE PRECAUTIONS: CABLES USING 'MICRO' COAX ARE DELICATE:**

- (i) HANDLE WITH CARE.
- (ii) DO NOT TWIST; APPLY EXCESSIVE FORCES OR SHARP BENDS TO THE CABLE. DO NOT FORCEFULLY DEFORM WIRES.
- (iii) CONSULT CONNECTOR MANUFACTURER'S DATASHEETS FOR DETAILED NOTES ON HANDLING INSTRUCTIONS.



NOTES:

1. THE ORIENTATION OF CONNECTORS ON DRAWING IS FOR REFERENCE ONLY, IF THE ORDER IS LEFT BLANK THE CONNECTOR WILL NOT HAVE FIXED ORIENTATION.
2. FIXED ORIENTATION IS SUGGESTED FOR CABLE LENGTH 25MM TO 100MM. PLEASE SPECIFY THE FIXED ORIENTATIONS FROM THE ORDER CODE (F1, F2, ETC)
3. CONTACT GRADCONN IF THE ORIENTATION YOU REQUIRE IS NOT SHOWN.
4. WORKING FREQUENCY RANGE: DC-3GHZ.

HOW TO ORDER

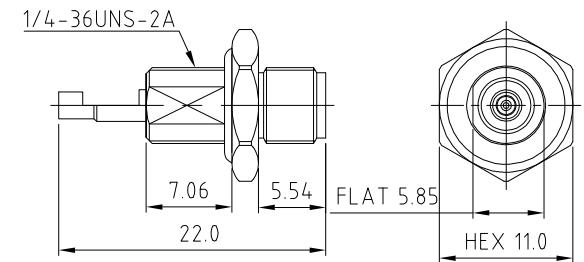
CABLE 298 RF - X X X - X X - X - 1

"L" LENGTH IN MM:  
 eg: 100MM = 100  
 (MIN. 025-MAX.400)  
 STANDARD = 100, 150, 200  
 Tolerance: 50-200mm:  $\pm 5$ mm.  
 201-400mm:  $\pm 7$ mm.

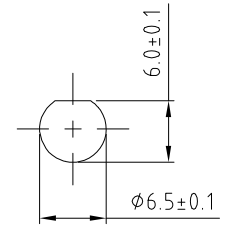
CABLE SIZE OPTIONS:  
 1 =  $\phi$ 1.32MM CABLE, COLOR: GRAY

WASHER AND NUT OPTIONS:  
 BLANK = SEPARATELY PACKED (STANDARD)  
 A = ALL ASSEMBLED WITH CONNECTOR

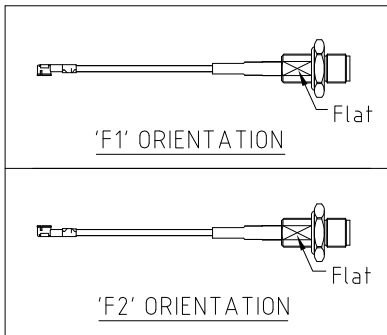
ORIENTATION OPTIONS:  
 BLANK = DOES NOT HAVE A FIXED ORIENTATION  
 F1 = H.FL CONNECTION DOWN (L=25-100MM)  
 F2 = H.FL CONNECTION UP (L=25-100MM)  
 (SEE NOTES 1, 2, 3 AND DIAGRAMS FOR MORE INFORMATION)



SMA DETAIL DRAWING



RECOMMENDED SMA MOUNTING HOLE



|                   |                       |   |   |
|-------------------|-----------------------|---|---|
| Scale: NTS        | THIRD ANGLE           | Unstated<br>.X<br>.XX<br>.XXX<br>ANGLES | Tolerances:<br>N/A<br>N/A<br>N/A<br>N/A |
| Drawn: NYW        |                       |   |   |
| App'd: XXX        | Title: CABLE ASSEMBLY |   |   |
| Date: 20 DEC. '17 | Revision: 1.0         | Unit: mm                                |   |

**NAUTILUS**  
 IP67/68 Rated Cables

**GRADCONN**  
 www.gradconn.com

|                     |
|---------------------|
| Type: Cable 298 RF  |
| CABLE 298 RF        |
| Drawing Number:     |
| Sheet 1 of 1        |
| Drawing © E and O E |