

CABLE 297 RF: RF CABLE ASSEMBLY, HIROSE U.FL + SMA FEMALE BULKHEAD WITH ORING + 1.37MM CABLE - 6GHz

SPECIFICATIONS

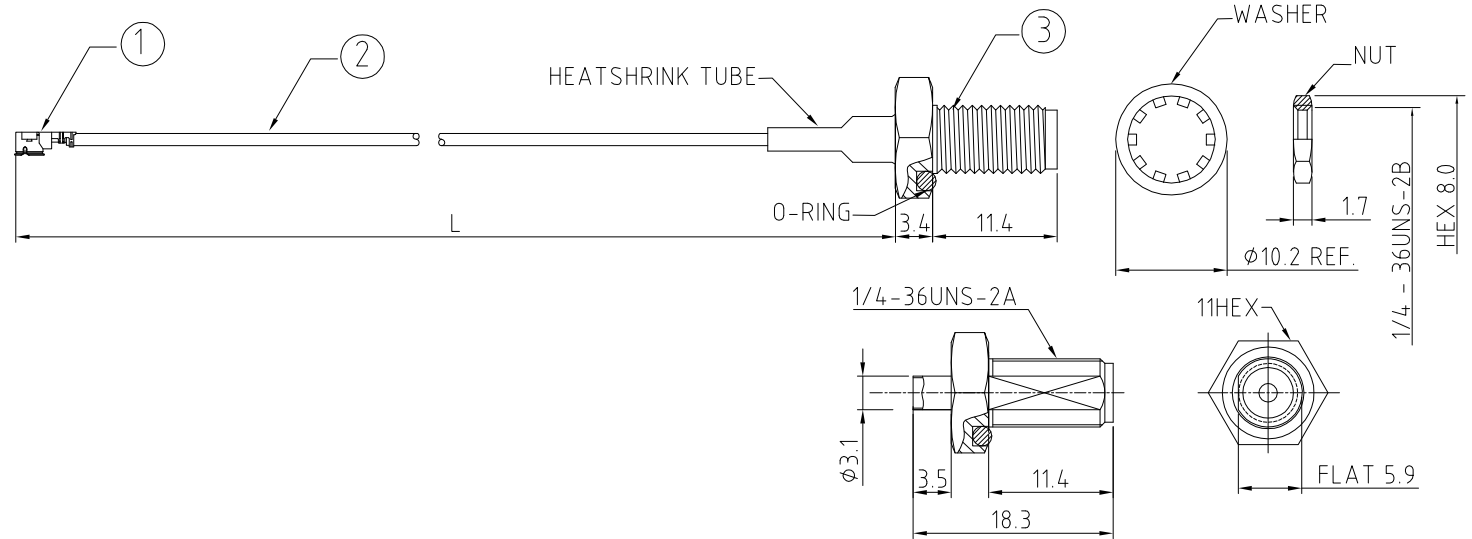
1. HIROSE U.FL PLUG (U.FL-LP-088).
2.  $\phi$ 1.37MM COAXIAL CABLE, COLOR: BLACK.
3. SMA ST BULKHEAD WITH O-RING, GOLD (RFCT-SMA041-F37).

NOTES:

1. THE ORIENTATION OF CONNECTORS ON DRAWING IS FOR REFERENCE ONLY, IF THE ORDER IS LEFT BLANK THE CONNECTOR WILL NOT HAVE FIXED ORIENTATION.
2. FIXED ORIENTATION IS SUGGESTED FOR CABLE LENGTH 31MM TO 100MM. PLEASE SPECIFY THE FIXED ORIENTATIONS FROM THE ORDER CODE (F1, F2, ETC)
3. CONTACT GRAD CONN IF THE ORIENTATION YOU REQUIRE IS NOT SHOWN.
4. WORKING FREQUENCY RANGE: DC-6GHz

USAGE PRECAUTIONS: CABLES USING 'MICRO' COAX ARE DELICATE:

- (i) HANDLE WITH CARE.
- (ii) DO NOT TWIST; APPLY EXCESSIVE FORCES OR SHARP BENDS TO THE CABLE. DO NOT FORCEFULLY DEFORM WIRES.
- (iii) CONSULT CONNECTOR MANUFACTURER'S DATASHEETS FOR DETAILED NOTES ON HANDLING INSTRUCTIONS.



HOW TO ORDER

CABLE 297 RF - XXX - XX - X - 1

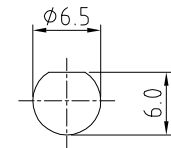
CABLE SIZE:  
1 =  $\phi$ 1.37MM CABLE, COLOR: BLACK.

"L" LENGTH IN MM  
eg: 100MM = 0100  
(MIN. 031-MAX.400)  
STANDARD = 100, 150, 200  
Tolerance: <50mm :  $\pm$ 2mm.  
51-200mm:  $\pm$ 5mm.  
201-400mm:  $\pm$ 7mm.

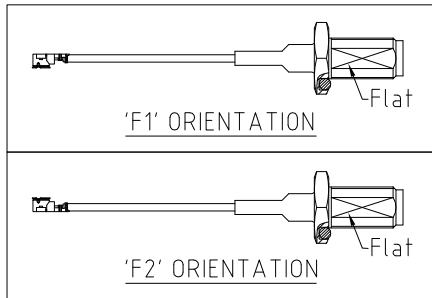
WASHER AND NUT OPTIONS:  
BLANK = SEPERATELY PACKED (STANDARD)  
A = ASSEMBLED WITH CONNECTOR

ORIENTATION OPTIONS:  
BLANK = DOES NOT HAVE A FIXED ORIENTATION  
F1 = U.FL CONNECTION DOWN (L=31-220MM)  
F2 = U.FL CONNECTION UP (L=31-220MM)  
(SEE NOTES 1, 2, 3 AND DIAGRAMS FOR MORE INFORMATION)

SMA JACK DETAIL DIMENSION



RECOMMENDED SMA MOUNTING HOLE



Scale: NTS	THIRD ANGLE	Unstated X .XX .XXX ANGLES	Tolerances: N/A N/A N/A N/A	Material SEE NOTE
Drawn: NYW				
App'd: XXX	Title: CABLE ASSEMBLY	NOT TO SCALE		
Date: 18 DEC. '17	Revision: 1.0	Unit: mm		



www.gradconn.com

THIS DRAWING IS CONFIDENTIAL AND MUST NOT BE COPIED OR DISCLOSED WITHOUT WRITTEN CONSENT

Type: Cable 297 RF
CABLE 297 RF
Drawing Number:
Sheet 1 of 1
Drawing © E and O E