

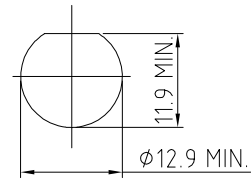
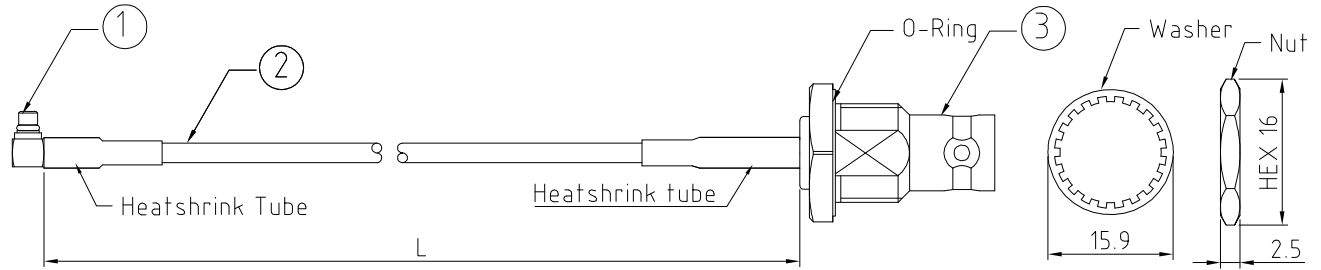
CABLE 292 RF: MMCX RIGHT ANGLE PLUG + BNC STRAIGHT BULKHEAD JACK WITH O-RING + MULTIPLE CABLE SIZES

SPECIFICATIONS:

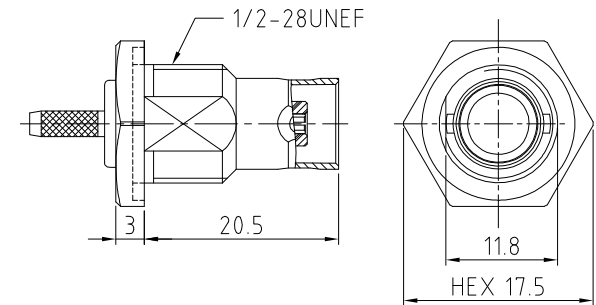
1. MMCX RIGHT ANGLE PLUG, P/N: RFCT-MMCX004-M74.
2. COAXIAL CABLE, SEE P/N FOR DETAIL.
3. BNC STRAIGHT BULKHEAD JACK WITH O-RING, P/N: RFCT-BNC004-F74.

NOTES:

1. THE ORIENTATION OF CONNECTORS ON DRAWING IS FOR REFERENCE ONLY, IF THE ORDER IS LEFT BLANK THE CONNECTOR WILL NOT HAVE FIXED ORIENTATION.
2. FIXED ORIENTATION IS SUGGESTED FOR CABLE LENGTH 50MM TO 100MM. PLEASE SPECIFY THE FIXED ORIENTATIONS FROM THE ORDER CODE (F1, F2, ETC)
3. CONTACT GRADCONN IF THE ORIENTATION YOU REQUIRE IS NOT SHOWN.
4. WORKING FREQUENCY RANGE: DC-3GHz.



RECOMMENDED BNC MOUNTING HOLE



BNC DETAIL DRAWING

HOW TO ORDER

CABLE 292 RF - X X X X - X X - X - X

CABLE SIZE OPTIONS:

- 1 = RG316 CABLE, COLOR: BROWN.
- 2 = RG174 CABLE, COLOR: BLACK

"L" LENGTH IN MM  
 eg: 100MM = 0100  
 (MIN. = 0050, MAX. = 2000,  
 STANDARD = 0100, 0150, 0200)  
 Tolerance: 50-200mm: ±5mm.  
 201-500mm: ±7mm.  
 >500mm: ±10mm.

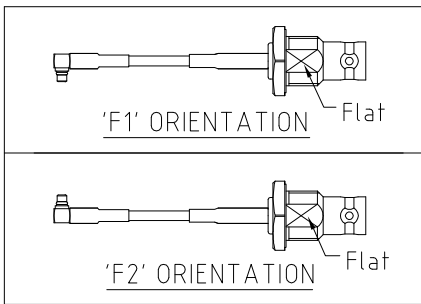
WASHER AND NUT OPTIONS:

- BLANK = SEPARATELY PACKED (STANDARD)
- A = ASSEMBLED WITH CONNECTOR

ORIENTATION OPTIONS:

- BLANK = DOES NOT HAVE A FIXED ORIENTATION
- F1 = MMCX CONNECTION DOWN (L=50-200MM)
- F2 = MMCX CONNECTION UP (L=50-200MM)

(SEE NOTES 1, 2, 3 AND DIAGRAMS FOR MORE INFORMATION)



REV. DATE & DRN TO 07/17/17 - NYW RELEASE

Scale: NTS	THIRD ANGLE	Unstated .X .XX .XXX ANGLES	Tolerances: N/A N/A N/A N/A	Material SEE NOTE
Drawn: NYW				NOT TO SCALE
App'd: XXX	Title CABLE ASSEMBLY			Unit: mm
Date: 7 NOV. '17	Revision: 1.0			



THIS DRAWING IS CONFIDENTIAL AND MUST NOT BE COPIED OR DISCLOSED WITHOUT WRITTEN CONSENT

Type: Cable 292 RF
CABLE 292 RF
Drawing Number:
Sheet 1 of 1
Drawing © E and O E