

CABLE 291 RF: MMCX RIGHT ANGLE PLUG + BNC STRAIGHT BULKHEAD JACK WITH O-RING RATED TO IP67/68 + MULTIPLE CABLE SIZES

SPECIFICATIONS:

1. MMCX RIGHT ANGLE PLUG, P/N: RFCT-MMCX004-M74.
2. COAXIAL CABLE, SEE P/N FOR DETAIL.
3. BNC STRAIGHT BULKHEAD JACK WITH O-RING RATED TO IP67/68, P/N: RFCT-BNC001-F74.

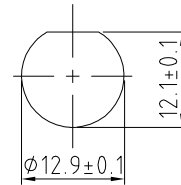
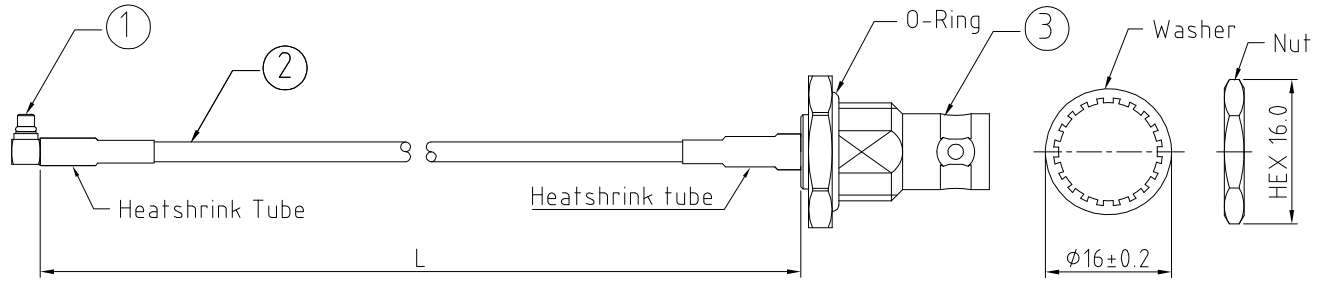
ENVIRONMENTAL:

A. BULKHEAD MOUNTED CONNECTOR (RFCT-BNC001-F74) TESTED TO THE FOLLOWING SPECIFICATION:

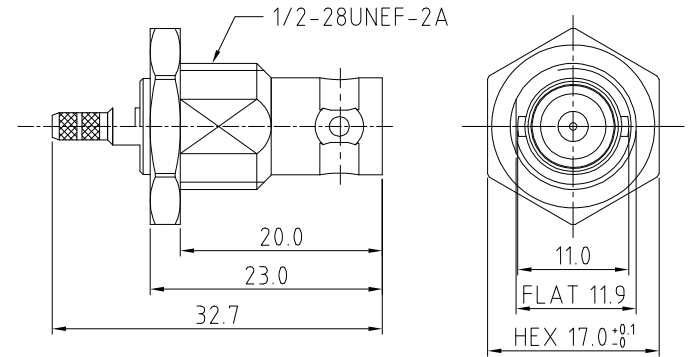
- i. IP6X - DUST TIGHT - NO PARTICLE INGRESS.
- ii. IPX7 WATERPROOF FOR 30 MINUTES UP TO 1 METER UNDERWATER.
- iii. IPX8 WATERPROOF FOR 48 HOURS AT 1 METER UNDERWATER.
- iv. IPX8 WATERPROOF FOR 12 HOURS AT 5 METERS UNDERWATER.
- v. PRESSURE TEST - 1 BAR FOR 10 SECONDS.

NOTES:

1. THE ORIENTATION OF CONNECTORS ON DRAWING IS FOR REFERENCE ONLY, IF THE ORDER IS LEFT BLANK THE CONNECTOR WILL NOT HAVE FIXED ORIENTATION.
2. FIXED ORIENTATION IS SUGGESTED FOR CABLE LENGTH 25MM TO 100MM. PLEASE SPECIFY THE FIXED ORIENTATIONS FROM THE ORDER CODE (F1, F2, ETC)
3. CONTACT GRADCONN IF THE ORIENTATION YOU REQUIRE IS NOT SHOWN.
4. WORKING FREQUENCY RANGE: DC-3GHz.



RECOMMENDED BNC MOUNTING HOLE



BNC DETAIL DRAWING

HOW TO ORDER

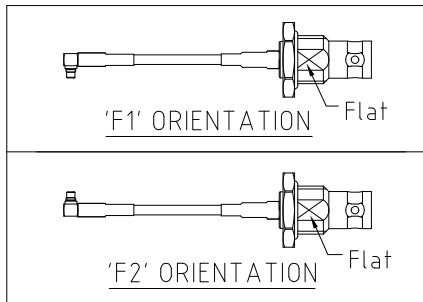
CABLE 291 RF - X X X X - X X - X - X

CABLE SIZE OPTIONS:
 1 = RG316 CABLE, COLOR: BROWN.
 2 = RG174 CABLE, COLOR: BLACK

"L" LENGTH IN MM
 eg: 100MM = 0100
 (MIN. = 0050, MAX. = 2000,
 STANDARD = 0100, 0150, 0200)
 Tolerance: 50-200mm: ±5mm.
 201-500mm: ±7mm.
 >500mm: ±10mm.

WASHER AND NUT OPTIONS:
 BLANK = SEPARATELY PACKED (STANDARD)
 A = ASSEMBLED WITH CONNECTOR

ORIENTATION OPTIONS:
 BLANK = DOES NOT HAVE A FIXED ORIENTATION
 F1 = MMCX CONNECTION DOWN (L=50-200MM)
 F2 = MMCX CONNECTION UP (L=50-200MM)
 (SEE NOTES 1, 2, 3 AND DIAGRAMS FOR MORE INFORMATION)



REV. DATE & DRN TO 24/10/17 - NYW RELEASE

Scale: NTS	THIRD ANGLE	Unstated X ±0.2 XX ±0.1 XXX ±0.05	Tolerances: ANGLES ±5
Drawn: NYW			
App'd: XXX	Title CABLE ASSEMBLY		
Date: 24 OCT. '17	Revision: 1.0	Unit: mm	

IP67/68 Rated Cables

www.gradconn.com

Type: Cable 291 RF
CABLE 291 RF
Drawing Number:
Sheet 1 of 1
Drawing © E and O E