

CABLE 286 RF: MCX R/A PLUG + RG316 CABLE + BNC STRAIGHT BULKHEAD JACK WITH O-RING RATED TO IP67/68

SPECIFICATIONS:

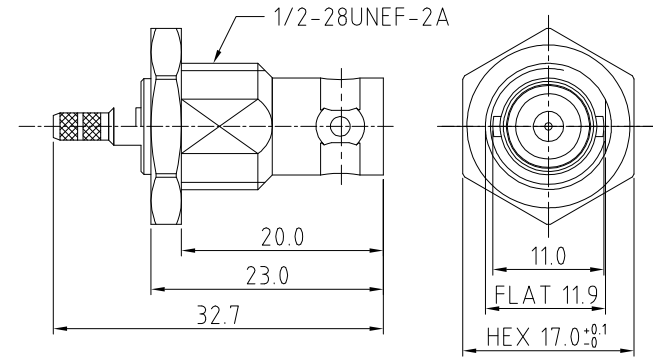
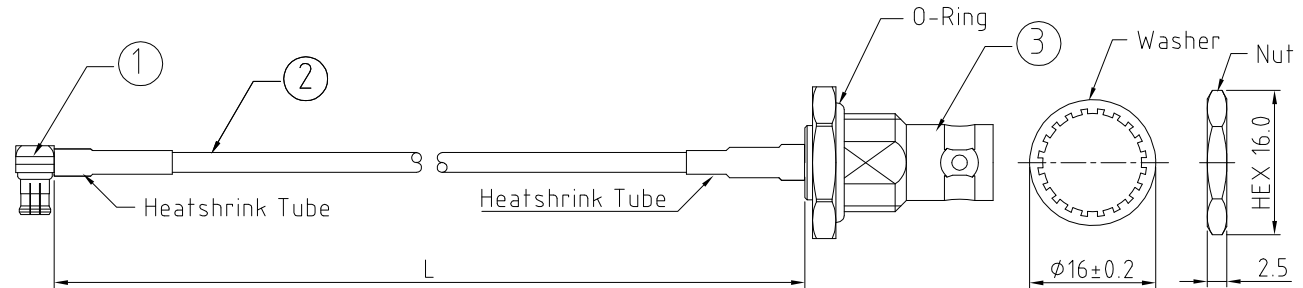
1. MCX RIGHT ANGLE PLUG, P/N: RFCT-MCX002-M74.
2. RG316 COAXIAL CABLE, COLOR: BROWN.
3. BNC STRAIGHT BULKHEAD JACK WITH O-RING RATED TO IP67/68, P/N: RFCT-BNC001-F74.

ENVIRONMENTAL:

- A. BULKHEAD MOUNTED CONNECTOR (RFCT-BNC001-F74) TESTED TO THE FOLLOWING SPECIFICATION:
- i. IP6X - DUST TIGHT - NO PARTICLE INGRESS.
 - ii. IPX7 WATERPROOF FOR 30 MINUTES UP TO 1 METER UNDERWATER.
 - iii. IPX8 WATERPROOF FOR 48 HOURS AT 1 METER UNDERWATER.
 - iv. IPX8 WATERPROOF FOR 12 HOURS AT 5 METERS UNDERWATER.
 - v. PRESSURE TEST - 1 BAR FOR 10 SECONDS.

NOTES:

1. THE ORIENTATION OF CONNECTORS ON DRAWING IS FOR REFERENCE ONLY, IF THE ORDER IS LEFT BLANK THE CONNECTOR WILL NOT HAVE FIXED ORIENTATION.
2. FIXED ORIENTATION IS SUGGESTED FOR CABLE LENGTH 50MM TO 100MM. PLEASE SPECIFY THE FIXED ORIENTATIONS FROM THE ORDER CODE (F1, F2, ETC)
3. CONTACT GRAD CONN IF THE ORIENTATION YOU REQUIRE IS NOT SHOWN.
4. WORKING FREQUENCY RANGE: DC-3GHz.



BNC DETAIL DRAWING

HOW TO ORDER

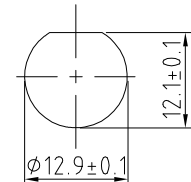
CABLE 286 RF - X X X X - X X - X - 1

"L" LENGTH IN MM
 eg: 100MM = 0100
 (MIN. = 0050, MAX. = 2000,
 STANDARD = 0100, 0150, 0200)
 Tolerance: 50-200mm: ±5mm.
 201-500mm: ±7mm.
 >500mm: ±10mm.

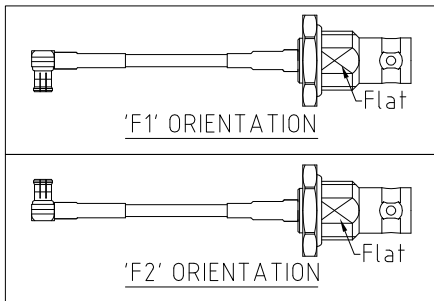
CABLE SIZE OPTIONS:
 1 = RG316 CABLE, COLOR: BROWN

O-RING, WASHER AND NUT OPTIONS:
 BLANK = SEPARATELY PACKED (STANDARD)
 A = ASSEMBLED WITH CONNECTOR

ORIENTATION OPTIONS:
 BLANK = DOES NOT HAVE A FIXED ORIENTATION
 F1 = MCX CONNECTION DOWN (L=50-200MM)
 F2 = MCX CONNECTION UP (L=50-200MM)
 (SEE NOTES 1, 2, 3 AND DIAGRAMS FOR MORE INFORMATION)



RECOMMENDED BNC MOUNTING HOLE



REV. DATE & DRN
 10 29/09/17 - NYW RELEASE

| | | | |
|-------------------|----------------------|----------------------------|----------------------------------|
| Scale: NTS | THIRD ANGLE | Unstated X XX XXX | Tolerances: N/A N/A N/A |
| Drawn: NYW | | ANGLES | N/A |
| App'd: XXX | Title CABLE ASSEMBLY | | |
| Date: 29 SEP. '17 | Revision: 1.0 | Unit: mm | |

IP67/68 Rated Cables

www.gradconn.com

| |
|---------------------|
| Type: Cable 286 RF |
| CABLE 286 RF |
| Drawing Number: |
| Sheet 1 of 1 |
| Drawing © E and O E |