

CABLE 283 RF: RF CABLE ASSEMBLY, MMCX R/A PLUG + RP SMA STRAIGHT BULKHEAD JACK WITH O-RING RATED TO IP67/68 + MULTIPLE CABLES SIZES

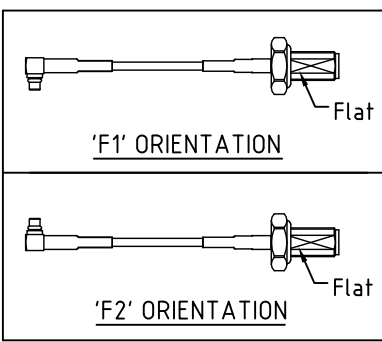
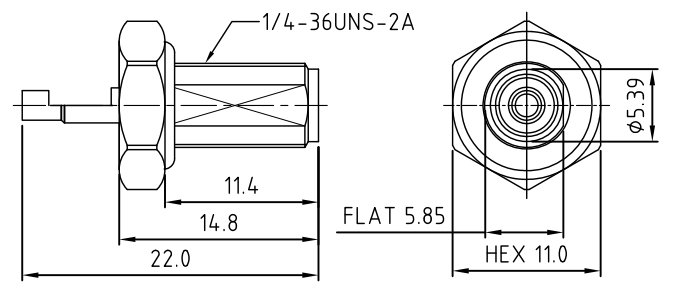
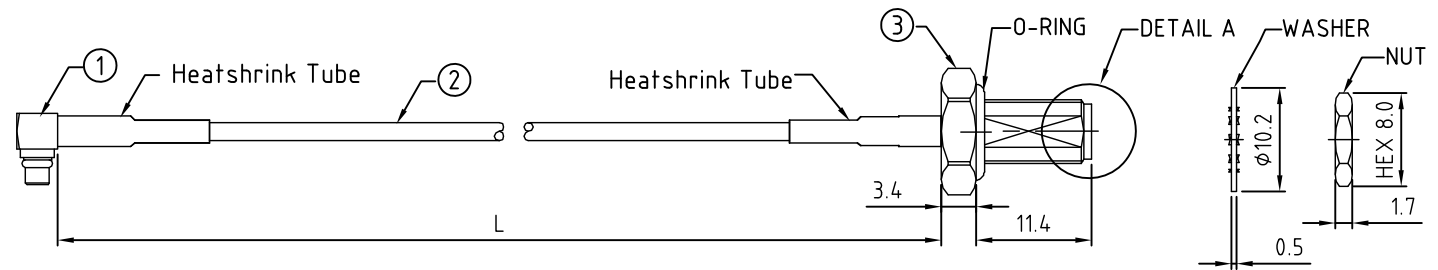
- SPECIFICATIONS :**
1. MMCX RIGHT ANGLE PLUG, P/N: RFCT-MMCX003-M78
  2. COAXIAL CABLE, SEE P/N OPTIONS
  3. RP SMA STRAIGHT BULKHEAD JACK WITH O-RING RATED TO IP67/68, P/N: RFCT-SMA008-F78. GOLD

**USAGE PRECAUTIONS: CABLES USING 'MICRO' COAX ARE DELICATE:**

- (i) HANDLE WITH CARE.
- (ii) DO NOT TWIST; APPLY EXCESSIVE FORCES OR SHARP BENDS TO THE CABLE. DO NOT FORCEFULLY DEFORM WIRES.
- (iii) CONSULT CONNECTOR MANUFACTURER'S DATASHEETS FOR DETAILED NOTES ON HANDLING INSTRUCTIONS.

- ENVIRONMENTAL:**
- A. BULKHEAD MOUNTED CONNECTOR (RFCT-SMA002-F78 ) TESTED TO THE FOLLOWING SPECIFICATION:**
- i. IP6X - DUST TIGHT - NO PARTICLE INGRESS.
  - ii. IPX7 WATERPROOF FOR 30 MINUTES UP TO 1 METER UNDERWATER.
  - iii. IPX8 WATERPROOF FOR 48 HOURS AT 1 METER UNDERWATER.
  - iv. IPX8 WATERPROOF FOR 12 HOURS AT 5 METERS UNDERWATER.
  - v. PRESSURE TEST - 1 BAR FOR 10 SECONDS.

- NOTES:**
1. THE ORIENTATION OF CONNECTORS ON DRAWING IS FOR REFERENCE ONLY, IF THE ORDER IS LEFT BLANK THE CONNECTOR WILL NOT HAVE FIXED ORIENTATION.
  2. FIXED ORIENTATION IS SUGGESTED FOR CABLE LENGTH 50MM TO 100MM. PLEASE SPECIFY THE FIXED ORIENTATIONS FROM THE ORDER CODE (F1, F2, ETC)
  3. CONTACT GRAD CONN IF THE ORIENTATION YOU REQUIRE IS NOT SHOWN.
  4. WORKING FREQUENCY RANGE: DC-3GHZ



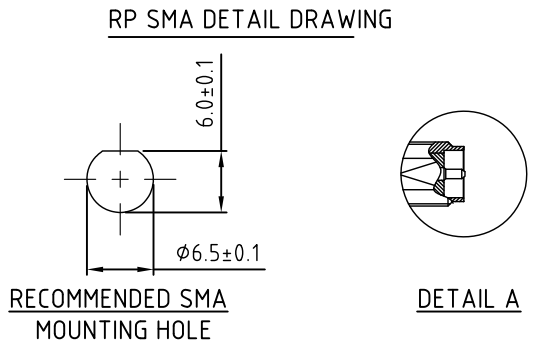
**HOW TO ORDER**  
 CABLE 283 RF - X X X X - X X - X - 1

"L" LENGTH IN MM:  
 eg: 100MM = 0100  
 (MIN. 0050-MAX.2000  
 STANDARD = 0100, 0150, 0200)  
 Tolerance: <50mm: ±2mm.  
 51-200mm: ±5mm.  
 201-500mm: ±7mm.  
 >501mm: ±10mm.

CABLE SIZE:  
 1 = RG178 CABLE, COLOR: BROWN.

WASHER AND NUT OPTIONS:  
 BLANK = SEPARATELY PACKED (STANDARD)  
 A = ALL ASSEMBLED WITH CONNECTOR

ORIENTATION OPTIONS:  
 BLANK = DOES NOT HAVE A FIXED ORIENTATION  
 F1 = MMCX CONNECTION DOWN (L=50-100MM)  
 F2 = MMCX CONNECTION UP (L=50-100MM)  
 (SEE NOTES 1, 2, 3 AND DIAGRAMS FOR MORE INFORMATION)



REV. DATE & DRN TO ZZZ/00/TT - RTW RELEASE

Scale: NTS	THIRD ANGLE	Unstated X XX .XXX ANGLES	Tolerances: ±0.2 ±0.1 ±0.05 ±5
Drawn: NYW			
App'd: XXX	Title: CABLE ASSEMBLY		
Date: 22 AUG. 17	Revision: 1.0	Unit: mm	

**NAUTILUS**  
 IP67/68 Rated Cables

**GRADCONN**  
 www.gradconn.com

Type: Cable 283 RF
CABLE 283 RF
Drawing Number:
Sheet 1 of 1
Drawing © E and O E