

CABLE 282 RF: SMA S/T BULKHEAD JACK WITH O-RING RATED TO IP67/68 + N S/T BULKHEAD JACK W/O-RING RATED TO IP67/68 + RG178 CABLE

SPECIFICATIONS:

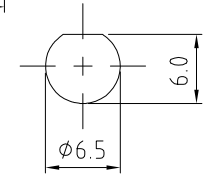
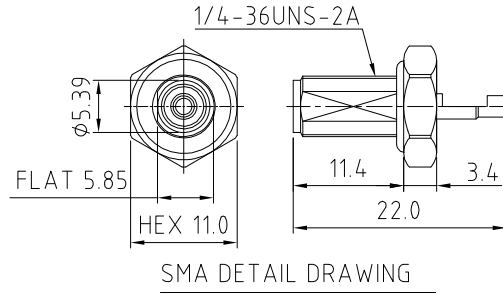
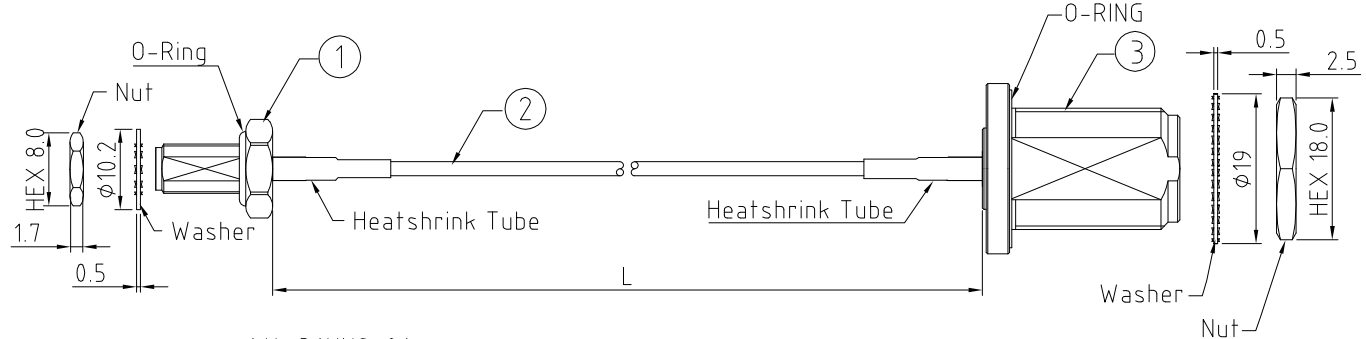
1. SMA STRAIGHT BULKHEAD JACK WITH O-RING RATED TO IP67/68, P/N: RFCT-SMA002-F78.
2. RG178 COAXIAL CABLE, COLOR: BROWN.
3. N STRAIGHT BULKHEAD JACK WITH O-RING RATED TO IP67/68, P/N: RFCT-N001-F78.

ENVIRONMENTAL:

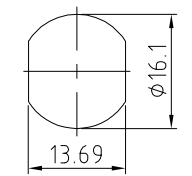
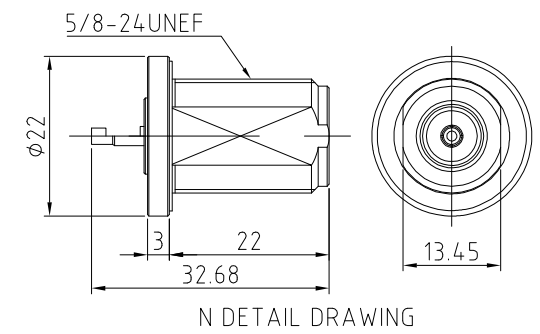
- A. SMA BULKHEAD CONNECTOR (RFCT-SMA002-F78) TESTED TO THE FOLLOWING SPECIFICATION:
 - i. IP6X - DUST TIGHT - NO PARTICLE INGRESS.
 - ii. IPX7 WATERPROOF FOR 30 MINUTES UP TO 1 METER UNDERWATER.
 - iii. IPX8 WATERPROOF FOR 48 HOURS AT 1 METER UNDERWATER.
 - iv. IPX8 WATERPROOF FOR 12 HOURS AT 5 METERS UNDERWATER.
 - v. PRESSURE TEST - 1 BAR FOR 10 SECONDS.
- B. N BULKHEAD CONNECTOR (RFCT-N001-F78) RATED TO THE FOLLOWING SPECIFICATION:
 - i. IP6X - DUST TIGHT - NO PARTICLE INGRESS.
 - ii. IPX7 WATERPROOF FOR 30 MINUTES UP TO 1 METER UNDERWATER.
 - iii. IPX8 WATERPROOF FOR 48 HOURS AT 1 METER UNDERWATER.

NOTES:

1. THE ORIENTATION OF CONNECTORS ON DRAWING IS FOR REFERENCE ONLY, IF THE ORDER IS LEFT BLANK THE CONNECTOR WILL NOT HAVE FIXED ORIENTATION.
2. FIXED ORIENTATION IS SUGGESTED FOR CABLE LENGTH 50MM TO 100MM. PLEASE SPECIFY THE FIXED ORIENTATIONS FROM THE ORDER CODE (F1, F2, ETC)
3. CONTACT GRAD CONN IF THE ORIENTATION YOU REQUIRE IS NOT SHOWN.
4. WORKING FREQUENCY RANGE: DC-3GHz



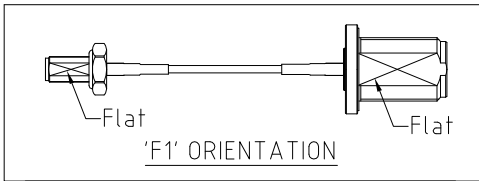
RECOMMENDED SMA MOUNTING HOLE (TOLERANCE: ±0.1)



RECOMMENDED N MOUNTING HOLE (TOLERANCE: ±0.07)

HOW TO ORDER

CABLE 282 RF - XXXX - XX - X - 1 CABLE SIZE:
 "L" LENGTH IN MM eg: 100MM = 0100 (MIN. 0050-MAX.2000) STANDARD = 0100, 0150, 0200 Tolerance: 50mm : ±2mm. 51-200mm: ±5mm. 201-500mm: ±7mm. >500mm: ±10mm.
 WASHER AND NUT OPTIONS:
 BLANK = SEPARATELY PACKED (STANDARD)
 A = ASSEMBLED WITH CONNECTOR
 ORIENTATION OPTIONS:
 BLANK = DOES NOT HAVE A FIXED ORIENTATION
 F1 = SAME ORIENTATION (L=50-200MM)
 (SEE NOTES 1, 2, 3 AND DIAGRAMS FOR MORE INFORMATION)



REV. DATE & DRN TO 27/07/17 - NYW RELEASE

Scale: NTS	THIRD ANGLE	Unstated Tolerances: X ±0.2 XX ±0.1 XXX ±0.05 ANGLES ±5
Drawn: NYW		
App'd: XXX	Title CABLE ASSEMBLY	
Date: 21 JUL '17	Revision: 1.0	Unit: mm

IP67/68 Rated Cables

www.gradconn.com

Type: Cable 282 RF
CABLE 282 RF
Drawing Number:
Sheet 1 of 1
Drawing © E and O E