

CABLE 281 RF: MMCX RIGHT ANGLE PLUG + FRONT MOUNT N STRAIGHT BULKHEAD JACK WITH O-RING RATED TO IP67/68 + RG174 CABLE

SPECIFICATIONS:

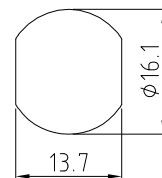
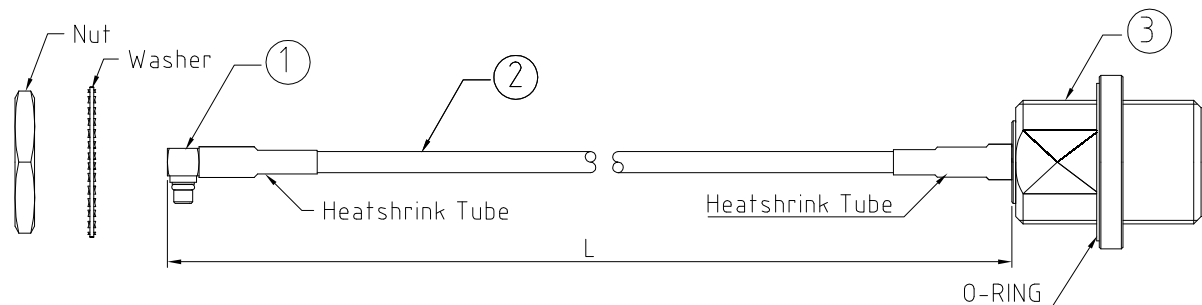
1. MMCX RIGHT ANGLE PLUG, P/N: RFCT-MMCX004-M74.
2. COAXIAL CABLE, SEE P/N OPTIONS FOR DETAIL.
3. FRONT MOUNT N STRAIGHT BULKHEAD JACK WITH O-RING RATED TO IP67/68, P/N: RFCT-N005-F74.

ENVIRONMENTAL:

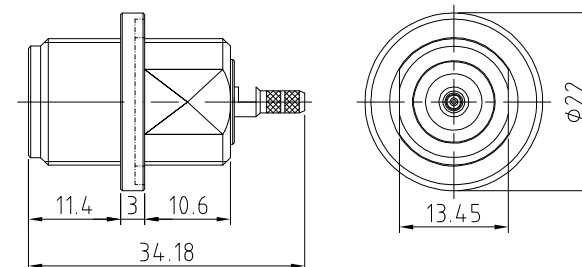
- A. BULKHEAD MOUNTED CONNECTOR (RFCT-N005-F74) RATED TO THE FOLLOWING SPECIFICATION:
- i. IP6X - DUST TIGHT - NO PARTICLE INGRESS.
  - ii. IPX7 WATERPROOF FOR 30 MINUTES UP TO 1 METER UNDERWATER.
  - iii. IPX8 WATERPROOF FOR 48 HOURS AT 1 METER UNDERWATER.

NOTES:

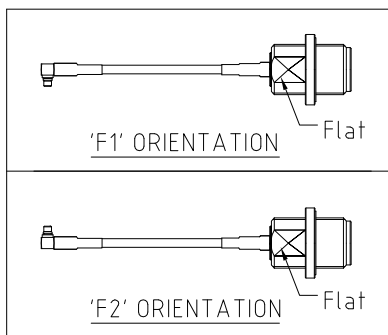
1. THE ORIENTATION OF CONNECTORS ON DRAWING IS FOR REFERENCE ONLY, IF THE ORDER IS LEFT BLANK THE CONNECTOR WILL NOT HAVE FIXED ORIENTATION.
2. FIXED ORIENTATION IS SUGGESTED FOR CABLE LENGTH 50MM TO 100MM. PLEASE SPECIFY THE FIXED ORIENTATIONS FROM THE ORDER CODE (F1, F2, ETC)
3. CONTACT GRADCONN IF THE ORIENTATION YOU REQUIRE IS NOT SHOWN.
4. WORKING FREQUENCY RANGE: DC-3GHz.



RECOMMENDED N MOUNTING HOLE



N DETAIL DRAWING



CABLE 281 RF - X X X X - X X - X - 1

CABLE SIZE OPTIONS:  
1 = RG174 CABLE, COLOR: BLACK

"L" LENGTH IN MM  
eg: 100MM = 0100  
(MIN. = 0050, MAX. = 2000,  
STANDARD = 0100, 0150, 0200)  
Tolerance: 50-200mm: ±5mm.  
201-500mm: ±7mm.  
>500mm: ±10mm.

WASHER AND NUT OPTIONS:  
BLANK = SEPARATELY PACKED (STANDARD)  
A = ASSEMBLED WITH CONNECTOR

ORIENTATION OPTIONS:  
BLANK = DOES NOT HAVE A FIXED ORIENTATION  
F1 = MMCX CONNECTION DOWN (L=50-200MM)  
F2 = MMCX CONNECTION UP (L=50-200MM)  
(SEE NOTES 1, 2, 3 AND DIAGRAMS FOR MORE INFORMATION)

REV. DATE & DRN TO 19/07/17 - NYW RELEASE

Scale: NTS	THIRD ANGLE	Unstated X ±0.2 XX ±0.1 XXX ±0.05	Tolerances: ANGLES ±5
Drawn: NYW			
App'd: XXX	Title CABLE ASSEMBLY		
Date: 19 JUL '17	Revision: 1.1	Unit: mm	

**NAUTILUS**  
IP67/68 Rated Cables

**GRADCONN**  
www.gradconn.com

Type: Cable 281 RF
CABLE 281 RF
Drawing Number:
Sheet 1 of 1
Drawing © E and O E