

CABLE 278 RF: MMCX R/A PLUG + FRONT MOUNT RP TNC BULKHEAD WITH O-RING RATED TO IP67/68 + MULTIPLE CABLE SIZES

SPECIFICATIONS :

- MMCX RIGHT ANGLE PLUG, P/N:  
FOR  $\phi 1.32$ MM DOUBLE SILVER SHIELDING &  $\phi 1.37$ MM CABLES:  
RFCT-MMCX003-M78.  
FOR  $\phi 1.32$ MM CABLE: RFCT-MMCX005-M32
- COAXIAL CABLE, SEE CABLE SIZE OPTIONS.
- FRONT MOUNT RP TNC BULKHEAD JACK WITH O-RING RATED TO IP67/68, P/N: RFCT-TNC003-F78.

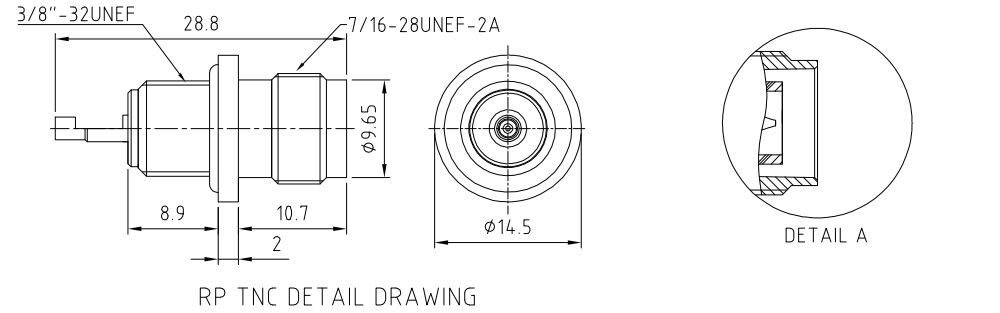
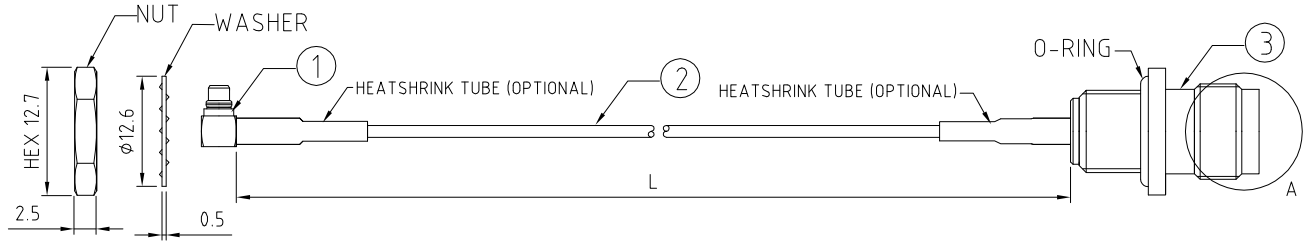
**USAGE PRECAUTIONS: CABLES USING 'MICRO' COAX ARE DELICATE:**  
 (i) HANDLE WITH CARE.  
 (ii) DO NOT TWIST; APPLY EXCESSIVE FORCES OR SHARP BENDS TO THE CABLE. DO NOT FORCEFULLY DEFORM WIRES.  
 (iii) CONSULT CONNECTOR MANUFACTURER'S DATASHEETS FOR DETAILED NOTES ON HANDLING INSTRUCTIONS.

ENVIRONMENTAL:

- A. BULKHEAD MOUNTED CONNECTOR (RFCT-TNC003-F78) RATED TO THE FOLLOWING SPECIFICATION:
- IP6X - DUST TIGHT - NO PARTICLE INGRESS.
  - IPX7 WATERPROOF FOR 30 MINUTES UP TO 1 METER UNDERWATER.
  - IPX8 WATERPROOF FOR 48 HOURS AT 1 METER UNDERWATER.

NOTES:

- WORKING FREQUENCY RANGE: DC-3GHz



HOW TO ORDER  
 CABLE 278 RF - X X X - X - X - X X

"L" LENGTH IN MM:  
 eg: 100MM = 100  
 (MIN. 050 - MAX. 400)  
 STANDARD = 100, 150, 200)  
 Tolerance:  $\pm 50$ mm :  $\pm 2$ mm.  
 51-200mm:  $\pm 5$ mm.  
 201-400mm:  $\pm 7$ mm.

HEATSHRINK TUBES OPTIONS:  
 BLANK = WITH HEATSHRINK TUBES (STANDARD)  
 NT = WITHOUT HEATSHRINK TUBES

CABLE SIZE OPTIONS:  
 1 =  $\phi 1.32$ MM DS CABLE, COLOR: GRAY.  
 2 =  $\phi 1.32$ MM CABLE, COLOR: GRAY.  
 3 =  $\phi 1.37$ MM CABLE, COLOR: BLACK.

WASHER AND NUT OPTIONS:  
 BLANK = SEPARATELY PACKED (STANDARD)  
 A = ASSEMBLED WITH CONNECTOR



REV. DATE & DRN  
 1.0 15/06/17 - NYW RELEASE  
 1.1 27/09/18 - NYW  
 ADD 1.37MM CABLE OPTION.  
 ADD HEATSHRINK TUBE OPTION.

Scale: NTS	THIRD ANGLE	Unstated .X .XX .XXX ANGLES	Tolerances: N/A N/A N/A N/A
Drawn: NYW			
App'd: XXX	Title: CABLE ASSEMBLY		
Date: 27 SEP. '18	Revision: 1.1	Unit: mm	

IP67/68 Rated Cables

www.gradconn.com

© THIS DRAWING IS CONFIDENTIAL AND MUST NOT BE COPIED OR DISCLOSED WITHOUT WRITTEN CONSENT

Type: Cable 278 RF
CABLE 278 RF
Drawing Number:
Sheet 1 of 1
Drawing © E and O E