

CABLE 249 RF: MMCX STRAIGHT PLUG + FRONT MOUNT SMA S/T BULKHEAD JACK WITH O-RING RATED TO IP67/68 + RG178 CABLE

SPECIFICATIONS :

1. MMCX STRAIGHT PLUG, P/N: RFCT-MMCX006-M78. Δ
2. COAXIAL CABLE, SEE P/N OPTIONS.
3. FRONT MOUNT SMA STRAIGHT BULKHEAD JACK WITH O-RING RATED TO IP67/68, P/N: RFCT-SMA003-F78.

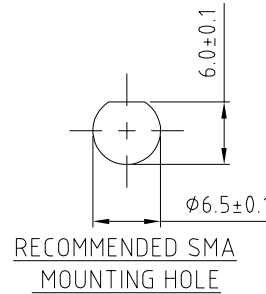
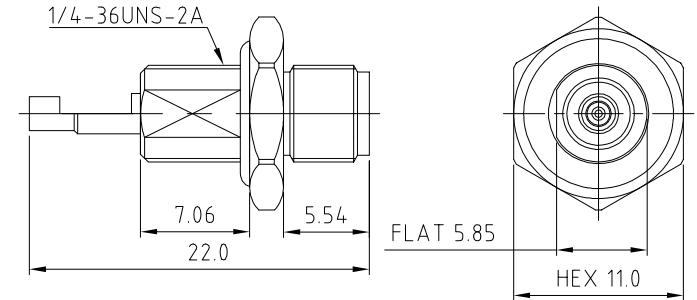
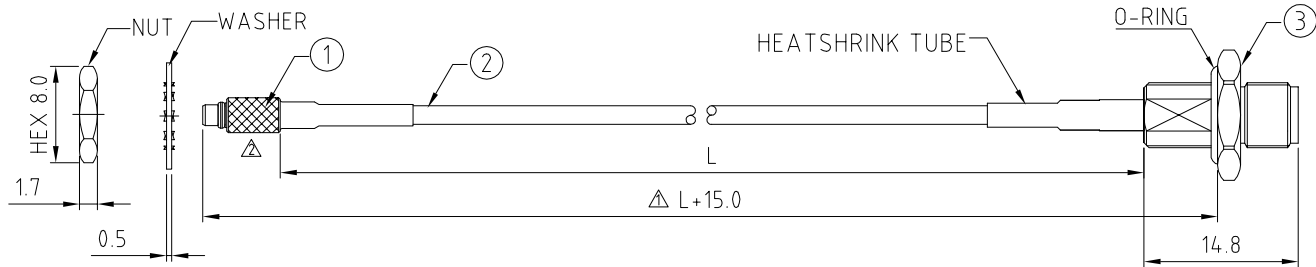
USAGE PRECAUTIONS: CABLES USING 'MICRO' COAX ARE DELICATE:
 (i) HANDLE WITH CARE.
 (ii) DO NOT TWIST; APPLY EXCESSIVE FORCES OR SHARP BENDS TO THE CABLE. DO NOT FORCEFULLY DEFORM WIRES.
 (iii) CONSULT CONNECTOR MANUFACTURER'S DATASHEETS FOR DETAILED NOTES ON HANDLING INSTRUCTIONS.

ENVIRONMENTAL:

- A. BULKHEAD MOUNTED CONNECTOR (RFCT-SMA003-F78) TESTED TO THE FOLLOWING SPECIFICATION:
- i. IP6X - DUST TIGHT - NO PARTICLE INGRESS.
 - ii. IPX7 WATERPROOF FOR 30 MINUTES UP TO 1 METER UNDERWATER.
 - iii. IPX8 WATERPROOF FOR 48 HOURS AT 1 METER UNDERWATER.
 - iv. IPX8 WATERPROOF FOR 12 HOURS AT 5 METERS UNDERWATER.
 - v. PRESSURE TEST - 1 BAR FOR 10 SECONDS.

NOTES:

1. WORKING FREQUENCY RANGE: DC-3GHz.
2. IT IS INTENDED THAT MOUNTING OF THIS CONNECTOR IS ACHIEVED USING THE NUT AND WASHER PROVIDED. PLEASE CONTACT GRADCONN FOR ADVISE IF PLANNING TO USE A DIFFERENT METHOD OF MOUNTING.



HOW TO ORDER

CABLE 249 RF - X X X - X - X

"L" LENGTH IN MM:

eg: 100MM = 100
 (MIN. 025 - MAX. 400)
 STANDARD = 100, 150, 200
 Tolerance: 50-200mm: ±5mm.
 201-400mm: ±7mm.

CABLE SIZE OPTIONS:
 1 = RG178 CABLE, COLOR: BROWN

WASHER AND NUT OPTIONS:
 BLANK = SEPARATELY PACKED (STANDARD)
 A = ALL ASSEMBLED WITH CONNECTOR

SMA DETAIL DRAWING

REV.	DATE & DRN
10	26/11/13 - A/D RELEASE
11	06/12/16 - NYW
12	ADD LENGTH MEASUREMENT.
14	Change MMCX Straight Plug
13	18/08/20 - NYW
	ADD NOTE Z.

Scale:	NTS	THIRD ANGLE	Unstated Tolerances:
Drawn:	CC		X N/A XX N/A XXX N/A ANGLES N/A
App'd:	XXX	Title	CABLE ASSEMBLY
Date:	18 AUG. '20	Revision:	1.3
		Unit:	mm

IP67/68 Rated Cables

www.gradconn.com

Type:	Cable 249 RF
	CABLE 249 RF
Drawing Number:	
Sheet	1 of 1
Drawing	© E and O E