



CABLE 233 RF: TNC STRAIGHT BULKHEAD JACK WITH O-RING RATED TO IP67/68 + RG174 CABLE + STRIP/TIN

SPECIFICATIONS :

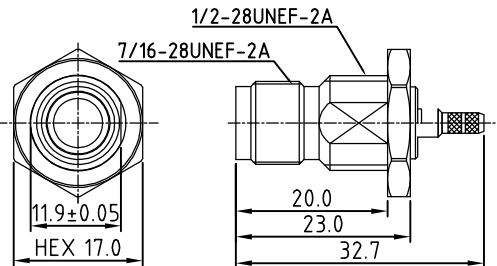
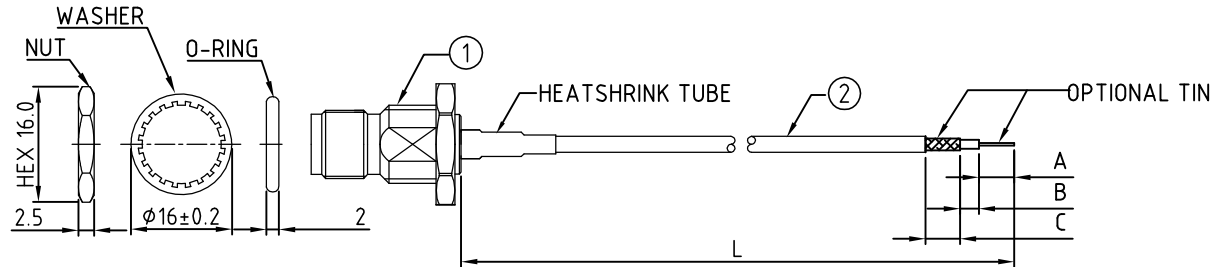
1. TNC STRAIGHT BULKHEAD JACK WITH O-RING RATED TO IP67/68, P/N: RFCT-TNC002-F74
2. RG174 COAXIAL CABLE, COLOR: BLACK
3. TWISTED BRAID OR FLEXIBLE COPPER WIRE, LENGTH = A (CENTRE CONDUCTOR) + B (INSULATOR). MINIMUM = 6.0MM. LENGTH 6.0MM - 9.9MM: TWISTED BRAID. LENGTH +10MM: FLEXIBLE COPPER WIRE.

ENVIRONMENTAL:

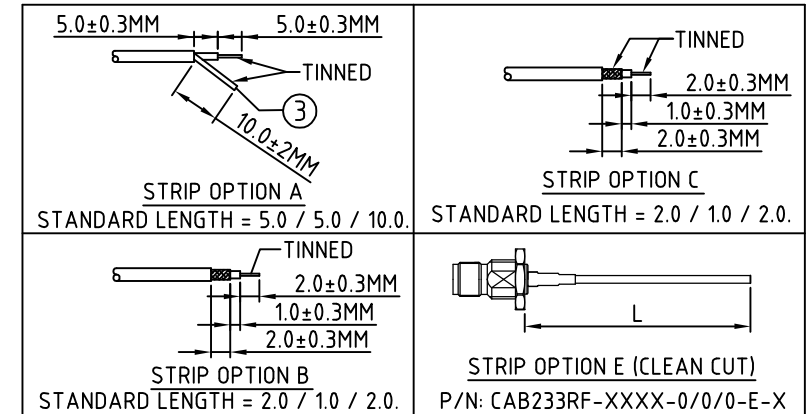
- A. BULKHEAD MOUNTED CONNECTOR (RFCT-SMA002-F78) TESTED TO THE FOLLOWING SPECIFICATION:
  - i. IP6X - DUST TIGHT - NO PARTICLE INGRESS.
  - ii. IPX7 WATERPROOF FOR 30 MINUTES UP TO 1 METER UNDERWATER
  - iii. IPX8 WATERPROOF FOR 48 HOURS AT 1 METER UNDERWATER.
  - iv. IPX8 WATERPROOF FOR 12 HOURS AT 5 METERS UNDERWATER.
  - v. PRESSURE TEST - 1 BAR FOR 10 SECONDS.

NOTES:

1. STRIP DIMENSION A / B / C STANDS FOR  
A = CENTRE CONDUCTOR  
B = INSULATOR  
C = BRAID.
2. INSERTION LOSS TEST REPORT IS NOT AVAILABLE.
3. THIS IS OUR STANDARD OFFERING, SPECIAL DESIGNS ARE AVAILABLE, INCLUDING CUSTOM TOLERANCES AND SPECIAL BRAID TINNING DESIGNS. PLEASE CONTACT GRADCONN FOR MORE INFORMATION.
4. CENTRE CONDUCTOR AND TWISTED BRAID OF COAX CABLE IS TINNED. WHEN BRAID LENGTH EXCEEDS 10MM LENGTH OF TINNED COPPER WIRE IS SOLDERED TO THE BRAID/SHIELD OF THE COAX CABLE WHICH ALLOWS SOLDERING TO PCB.



TNC DETAIL DRAWING



HOW TO ORDER

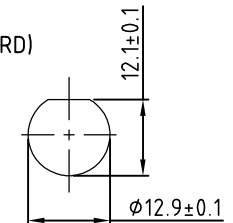
CAB233RF - XXXX - X.X / X.X / X.X - X - X

"L" LENGTH IN MM  
eg: 100MM = 0100  
(MIN. = 0050, MAX. = 2000)  
STANDARD = 0100, 0150, 0200  
Tolerance: <50mm : ±2mm.  
51-200mm: ±5mm.  
201-500mm: ±7mm.  
>501mm: ±10mm.

A/B/C STRIP DIMENSION IN MM  
FOR STANDARD LENGTH PLEASE REFER TO DRAWINGS.  
(SPECIALS AVAILABLE UPON REQUEST.)

O-RING, WASHER AND NUT OPTIONS:  
BLANK = SEPARATELY PACKED (STANDARD)  
A = ASSEMBLED WITH CONNECTOR

STRIP AND TIN OPTIONS:  
A = CENTER CONDUCTOR & TWISTED BRAID/SOLDERED COPPER WIRE TINNED (SEE NOTE 4 FOR SOLDER TO PCB APPLICATION)  
B = STRIPPED, END A TINNED  
C = STRIPPED, END A & C TINNED  
E = CLEAN CUT



RECOMMENDED TNC MOUNTING HOLE

REV. DATE & DRN  
1.0 12/24/16 - NYW RELEASE

Scale: NTS	THIRD ANGLE	Unstated .X .XX .XXX	Tolerances: ±0.2 ±0.1 ±0.05
Drawn: NYW		ANGLES	±5
App'd: XXX	Title CABLE ASSEMBLY		
Date: 12 APR. '16	Revision: 1.0	Unit: mm	



IP67/68 Rated Cables

www.gradconn.com

THIS DRAWING IS CONFIDENTIAL AND MUST NOT BE COPIED OR DISCLOSED WITHOUT WRITTEN CONSENT

Type: Cable 233 RF
CABLE 233 RF
Drawing Number:
Sheet 1 of 1
Drawing E and O E