

CABLE 228 RF: MMCX RIGHT ANGLE PLUG + MULTIPLE CABLE SIZES + TNC STRAIGHT BULKHEAD JACK WITH O-RING RATED TO IP67/68

SPECIFICATIONS:

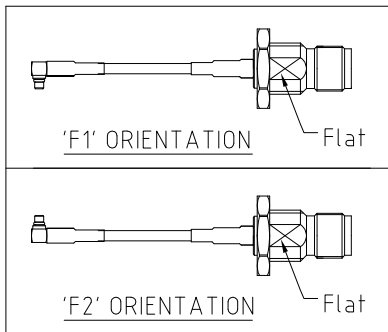
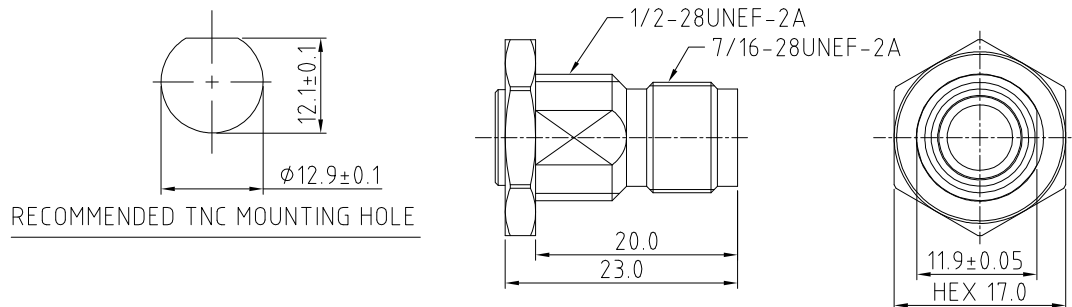
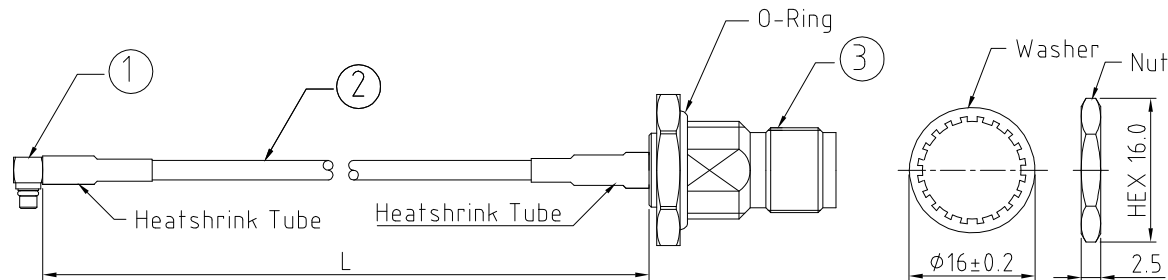
1. MMCX RIGHT ANGLE PLUG, P/N:
FOR RG174 CABLE: RFCT-MMCX004-M74.
FOR RG178, $\phi 1.37$ MM CABLE: RFCT-MMCX003-M78.
2. COAXIAL CABLE, SEE P/N OPTIONS FOR DETAIL.
3. TNC STRAIGHT BULKHEAD JACK WITH O-RING RATED TO IP67/68, P/N:
FOR RG174 CABLE: RFCT-TNC002-F74.
FOR RG178, $\phi 1.37$ MM CABLE: RFCT-TNC006-F78.

ENVIRONMENTAL:

- A. BULKHEAD MOUNTED CONNECTOR (RFCT-TNC002-F74) TESTED TO THE FOLLOWING SPECIFICATION:
 - i. IP6X - DUST TIGHT - NO PARTICLE INGRESS.
 - ii. IPX7 WATERPROOF FOR 30 MINUTES UP TO 1 METER UNDERWATER.
 - iii. IPX8 WATERPROOF FOR 48 HOURS AT 1 METER UNDERWATER.
 - iv. IPX8 WATERPROOF FOR 12 HOURS AT 5 METERS UNDERWATER.
 - v. PRESSURE TEST - 1 BAR FOR 10 SECONDS.

NOTES:

1. THE ORIENTATION OF CONNECTORS ON DRAWING IS FOR REFERENCE ONLY, IF THE ORDER IS LEFT BLANK THE CONNECTOR WILL NOT HAVE FIXED ORIENTATION.
2. FIXED ORIENTATION IS SUGGESTED FOR CABLE LENGTH 50MM TO 100MM. PLEASE SPECIFY THE FIXED ORIENTATIONS FROM THE ORDER CODE (F1, F2, ETC)
3. CONTACT GRADCONN IF THE ORIENTATION YOU REQUIRE IS NOT SHOWN.
4. WORKING FREQUENCY RANGE: DC-3GHz.



HOW TO ORDER
 CABLE 228 RF - X X X X - X X - X - X
 "L" LENGTH IN MM
 eg: 100MM = 0100
 (MIN. = 0050, MAX. = 2000, STANDARD = 0100, 0150, 0200)
 Tolerance: 50-200mm: ± 5 mm.
 201-500mm: ± 7 mm.
 >500mm: ± 10 mm.

CABLE SIZE OPTIONS:
 1 = RG174 CABLE, COLOR: BLACK
 2 = RG178 CABLE, COLOR: BROWN
 3 = $\phi 1.37$ MM CABLE, COLOR: BLACK

WASHER AND NUT OPTIONS:
 BLANK = SEPARATELY PACKED (STANDARD)
 A = ASSEMBLED WITH CONNECTOR

ORIENTATION OPTIONS:
 BLANK = DOES NOT HAVE A FIXED ORIENTATION
 F1 = MMCX CONNECTION DOWN (L=50-200MM)
 F2 = MMCX CONNECTION UP (L=50-200MM)
 (SEE NOTES 1, 2, 3 AND DIAGRAMS FOR MORE INFORMATION)

REV. DATE & DRN
 10 18/02/18 - NYW RELEASE
 11 02/03/18 - NYW CABLE OPTION 2
 12 20/04/18 - NYW REMOVE O-RING OPTION
 13 01/06/18 - NYW ADD $\phi 1.37$ CABLE OPTION

Scale: NTS	THIRD ANGLE	Unstated X N/A XX N/A XXX N/A ANGLES N/A	Tolerances: N/A N/A N/A N/A
Drawn: NYW			
App'd: XXX	Title CABLE ASSEMBLY		
Date: 1 JUN. '18	Revision: 1.3	Unit: mm	

IP67/68 Rated Cables

www.gradconn.com

Type: Cable 228 RF
CABLE 228 RF
Drawing Number:
Sheet 1 of 1
Drawing © E and O E