

CABLE 203 RF: RF CABLE ASSEMBLY, I-PEX MHF PLUG + FRONT MOUNT BNC S/T BULKHEAD JACK WITH O-RING + RG178 CABLE

SPECIFICATIONS:

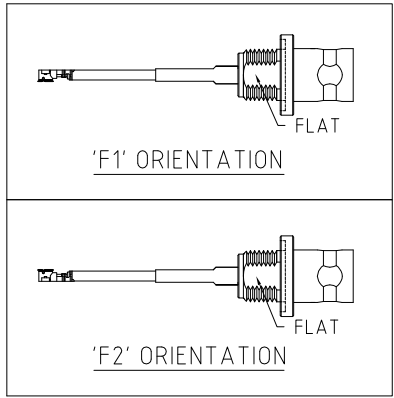
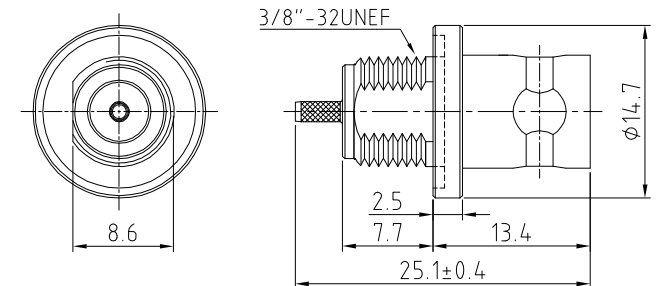
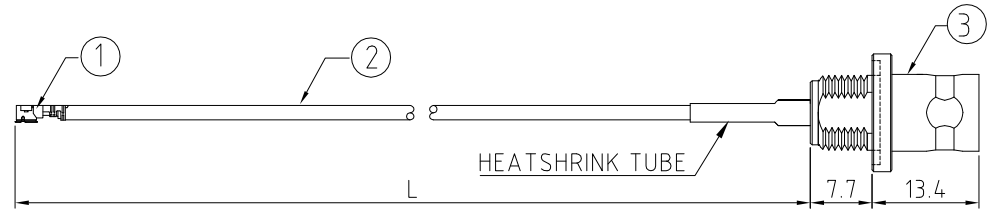
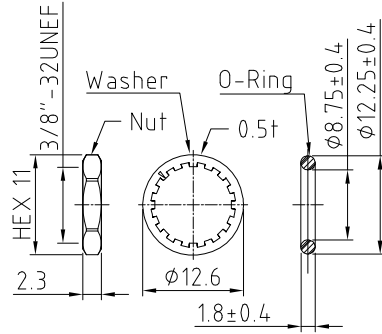
1. I-PEX MHF PLUG (20278-112R-18)
2. RG178 COAXIAL CABLE, COLOR: BROWN
3. FRONT MOUNT BNC STRAIGHT BULKHEAD JACK WITH O-RING, GOLD PLATED (C16CU3F178014B)

USAGE PRECAUTIONS: CABLES USING 'MICRO' COAX ARE DELICATE:

- (i) HANDLE WITH CARE.
- (ii) DO NOT TWIST; APPLY EXCESSIVE FORCES OR SHARP BENDS TO THE CABLE. DO NOT FORCEFULLY DEFORM WIRES.
- (iii) CONSULT CONNECTOR MANUFACTURER'S DATASHEETS FOR DETAILED NOTES ON HANDLING INSTRUCTIONS.

NOTES:

1. THE ORIENTATION OF CONNECTORS ON DRAWING IS FOR REFERENCE ONLY, IF THE ORDER IS LEFT BLANK THE CONNECTOR WILL NOT HAVE FIXED ORIENTATION.
2. FIXED ORIENTATION IS SUGGESTED FOR CABLE LENGTH 25MM TO 100MM. PLEASE SPECIFY THE FIXED ORIENTATIONS FROM THE ORDER CODE (F1, F2, ETC)
3. CONTACT GRAD CONN IF THE ORIENTATION YOU REQUIRE IS NOT SHOWN.
4. WORKING FREQUENCY RANGE: DC-1GHz



HOW TO ORDER

CABLE 203 RF - X X X - X X - X - 0

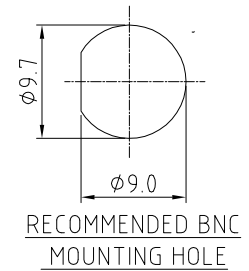
"L" LENGTH IN MM
 eg: 100MM = 100
 (MIN. 025-MAX.400)
 STANDARD = 100, 150, 200
 Tolerance: <50mm : ±2mm.
 51-200mm: ±5mm.
 201-400mm: ±7mm.

CABLE SIZE:
 0 = RG178 CABLE, COLOR: BROWN.

O-RING, WASHER AND NUT OPTIONS:
 BLANK = SEPARATELY PACKED (STANDARD)
 A = ALL ASSEMBLED WITH CONNECTOR

ORIENTATION OPTIONS:
 BLANK = DOES NOT HAVE A FIXED ORIENTATION
 F1 = MHF CONNECTION DOWN (L=25-220MM)
 F2 = MHF CONNECTION UP (L=25-220MM)
 (SEE NOTES 1, 2, 3 AND DIAGRAMS FOR MORE INFORMATION)

BNC DETAIL DRAWING



RECOMMENDED BNC MOUNTING HOLE

REV. DATE & DRN
 1.0 12/03/15 - NYW RELEASE

| | | | | |
|-------------------|-----------------------|-------------------------------------|--|----------------------|
| Scale: NTS | THIRD ANGLE | Unstated X .XX .XXX ANGLES | Tolerances: ±0.2 ±0.1 ±0.05 ±5 | Material SEE NOTE |
| Drawn: NYW | | | | |
| App'd: XXX | Title: CABLE ASSEMBLY | NOT TO SCALE | | |
| Date: 12 MAR. '15 | Revision: 1.0 | Unit: mm | | |

www.gradconn.com

THIS DRAWING IS CONFIDENTIAL AND MUST NOT BE COPIED OR DISCLOSED WITHOUT WRITTEN CONSENT

| |
|---------------------|
| Type: Cable 203 RF |
| CABLE 203 RF |
| Drawing Number: |
| Sheet 1 of 1 |
| Drawing © E and O E |