

CABLE 198 RF: RF CABLE ASSEMBLY, I-PEX MHF + RP SMA S/T BULKHEAD JACK + MULTIPLE CABLE SIZES

SPECIFICATIONS :

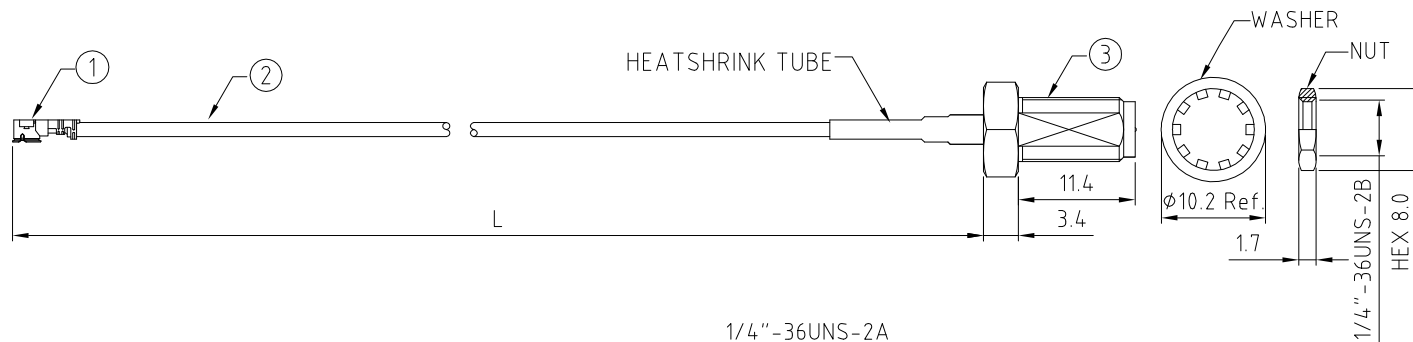
- I-PEX MHF PLUG, P/N:
FOR $\phi 1.37\text{MM}$ CABLE: 20351-112R-37.
FOR $\phi 1.32\text{DS}$ CABLE: 20278-112R-32.
- COAXIAL CABLE, SEE P/N OPTIONS.
- RP SMA STRAIGHT BULKHEAD JACK, P/N:
FOR $\phi 1.37\text{MM}$ CABLE: C20AB31137003.
FOR $\phi 1.32\text{DS}$ CABLE: RFCT-SMA050-F32.

USAGE PRECAUTIONS: CABLES USING 'MICRO' COAX ARE DELICATE:

- HANDLE WITH CARE.
- DO NOT TWIST; APPLY EXCESSIVE FORCES OR SHARP BENDS TO THE CABLE. DO NOT FORCEFULLY DEFORM WIRES.
- CONSULT CONNECTOR MANUFACTURER'S DATASHEETS FOR DETAILED NOTES ON HANDLING INSTRUCTIONS.

NOTES:

- THE ORIENTATION OF CONNECTORS ON DRAWING IS FOR REFERENCE ONLY, IF THE ORDER IS LEFT BLANK THE CONNECTOR WILL NOT HAVE FIXED ORIENTATION.
- FIXED ORIENTATION IS SUGGESTED FOR CABLE LENGTH 25MM TO 100MM. PLEASE SPECIFY THE FIXED ORIENTATIONS FROM THE ORDER CODE (F1, F2, ETC)
- CONTACT GRAD CONN IF THE ORIENTATION YOU REQUIRE IS NOT SHOWN.
- WORKING FREQUENCY RANGE: DC-6GHz.



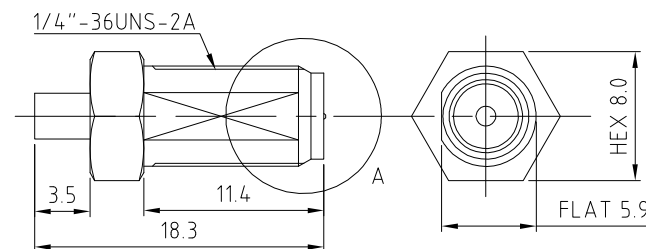
HOW TO ORDER
CABLE 198 RF - XXX - XX - X - X

"L" LENGTH IN MM:
eg: 100MM = 100
(MIN. 025-MAX.400
STANDARD = 100, 150, 200)
Tolerance: 20-50mm: $\pm 2\text{mm}$.
51-200mm: $\pm 5\text{mm}$.
201-400mm: $\pm 7\text{mm}$.

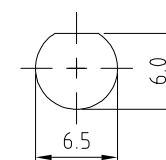
CABLE SIZE OPTIONS:
1 = $\phi 1.37\text{MM}$ CABLE, COLOR: BLACK
2 = $\phi 1.32\text{MM}$ DOUBLE SHIELDING CABLE: COLOR: BLACK

WASHER AND NUT OPTIONS:
BLANK = SEPARATELY PACKED (STANDARD)
A = ALL ASSEMBLED WITH CONNECTOR

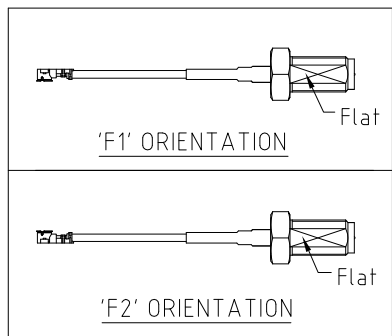
ORIENTATION OPTIONS:
BLANK = DOES NOT HAVE A FIXED ORIENTATION
F1 = MHF CONNECTION DOWN (L=25-200MM)
F2 = MHF CONNECTION UP (L=25-200MM)
(SEE NOTES 1, 2, 3 AND DIAGRAMS FOR MORE INFORMATION)



SMA DETAIL DRAWING



RECOMMENDED SMA MOUNTING HOLE



Scale: NTS	THIRD ANGLE	Unstated .XX .XXX ANGLES	Tolerances: N/A N/A N/A	Material SEE NOTE
Drawn: NYW				
App'd: XXX	Title CABLE ASSEMBLY	NOT TO SCALE		
Date: 16 OCT. '18	Revision: 1.1	Unit: mm		



www.gradconn.com

THIS DRAWING IS CONFIDENTIAL AND MUST NOT BE COPIED OR DISCLOSED WITHOUT WRITTEN CONSENT

Type: Cable 198 RF
CABLE 198 RF
Drawing Number:
Sheet 1 of 1
Drawing © E and O E