



CABLE 197 RF: I-PEX MHF + FRONT MOUNT RP SMA S/T BULKHEAD JACK WITH O-RING RATED TO IP67/68 + MULTIPLE CABLE SIZES

SPECIFICATIONS :

- I-PEX MHF PLUG, P/N:
 FOR $\phi 1.13\text{MM}$ CABLE: 20278-112R-13.
 FOR $\phi 0.81\text{MM}$ CABLE: 20278-112R-08.
 FOR RG178 CABLE: 20278-112R-18.
 FOR $\phi 1.37\text{MM}$ CABLE: 20278-112R-37.
- COAXIAL CABLE, SEE P/N FOR DETAIL.
- FRONT MOUNT RP SMA STRAIGHT BULKHEAD JACK WITH O-RING RATED TO IP67/68, P/N: RFCT-SMA013-F78.

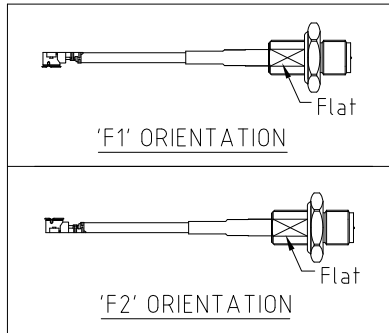
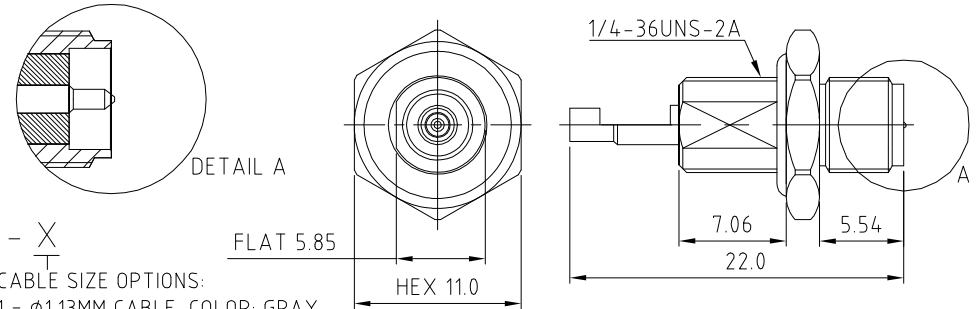
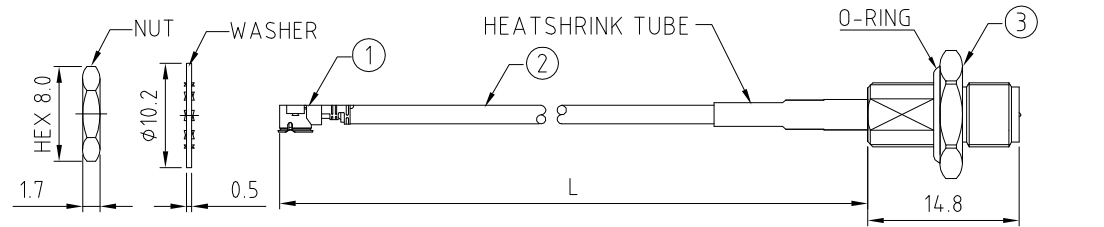
ENVIRONMENTAL:

- BULKHEAD MOUNTED CONNECTOR (RFCT-SMA013-F78) RATED TO THE FOLLOWING SPECIFICATION:
 - IP6X - DUST TIGHT - NO PARTICLE INGRESS.
 - IPX7 WATERPROOF FOR 30 MINUTES UP TO 1 METER UNDERWATER.
 - IPX8 WATERPROOF FOR 48 HOURS AT 1 METER UNDERWATER.

NOTES:

- THE ORIENTATION OF CONNECTORS ON DRAWING IS FOR REFERENCE ONLY, IF THE ORDER IS LEFT BLANK THE CONNECTOR WILL NOT HAVE FIXED ORIENTATION.
- FIXED ORIENTATION IS SUGGESTED FOR CABLE LENGTH 25MM TO 100MM. PLEASE SPECIFY THE FIXED ORIENTATIONS FROM THE ORDER CODE (F1, F2, ETC)
- CONTACT GRADCONN IF THE ORIENTATION YOU REQUIRE IS NOT SHOWN.
- WORKING FREQUENCY RANGE: DC-3GHz.

USAGE PRECAUTIONS: CABLES USING 'MICRO' COAX ARE DELICATE:
 (i) HANDLE WITH CARE.
 (ii) DO NOT TWIST; APPLY EXCESSIVE FORCES OR SHARP BENDS TO THE CABLE. DO NOT FORCEFULLY DEFORM WIRES.
 (iii) CONSULT CONNECTOR MANUFACTURER'S DATASHEETS FOR DETAILED NOTES ON HANDLING INSTRUCTIONS.



HOW TO ORDER

CABLE 197 RF - XXX - XX - X - X

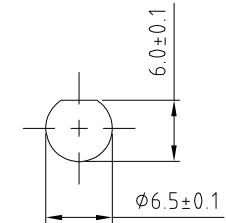
"L" LENGTH IN MM:
 eg: 100MM = 100
 (MIN. 025-MAX.400)
 STANDARD = 100, 150, 200)
 Tolerance: 20-50mm: $\pm 2\text{mm}$.
 51-200mm: $\pm 5\text{mm}$.
 201-400mm: $\pm 7\text{mm}$.

CABLE SIZE OPTIONS:
 1 = $\phi 1.13\text{MM}$ CABLE, COLOR: GRAY
 2 = $\phi 0.81\text{MM}$ CABLE, COLOR: GRAY
 3 = $\phi 1.13\text{MM}$ LOW LOSS CABLE, COLOR: GRAY.
 4 = RG178 CABLE, COLOR: BROWN.
 5 = $\phi 1.37\text{MM}$ CABLE, COLOR: BLACK.

WASHER AND NUT OPTIONS:
 BLANK = SEPARATELY PACKED (STANDARD)
 A = ALL ASSEMBLED WITH CONNECTOR

ORIENTATION OPTIONS:
 BLANK = DOES NOT HAVE A FIXED ORIENTATION
 F1 = MHF CONNECTION DOWN (L=25-100MM)
 F2 = MHF CONNECTION UP (L=25-100MM)
 (SEE NOTES 1, 2, 3 AND DIAGRAMS FOR MORE INFORMATION)

SMA DETAIL DRAWING



RECOMMENDED SMA MOUNTING HOLE

REV. DATE & DRN	10 21/07/15 - NYW RELEASE
11 23/07/15 - NYW	UPDATE SMA PART NUMBER.
12 30/10/15 - R/H	ADD IP67/68 RATING INFO.
13 17/02/16 - NYW	AMEND IP67/68 TEST STATUS
14 20/06/16 - NYW	ADD 0.81 CABLE OPTION 2.
15 10/01/17 - NYW	ADD 1.13 LL CABLE OPTION 3.
16 22/02/17 - NYW	ADD RG178 CABLE OPTION 4.
17 04/10/18 - NYW	ADD 1.37MM CABLE OPTION 5.

Scale: NTS	THIRD ANGLE	Unstated: .X, .XX, .XXX ANGLES	Tolerances: N/A, N/A, N/A, N/A
Drawn: NYW			
App'd: XXX	Title: CABLE ASSEMBLY		
Date: 5 OCT. '18	Revision: 1.7	Unit: mm	

IP67/68 Rated Cables

www.gradconn.com

Type: Cable 197 RF
CABLE 197 RF
Drawing Number:
Sheet 1 of 1
Drawing © E and O E