

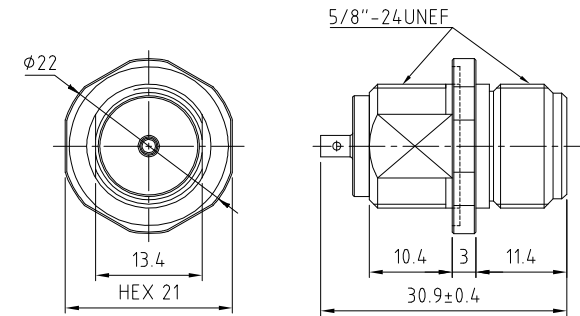
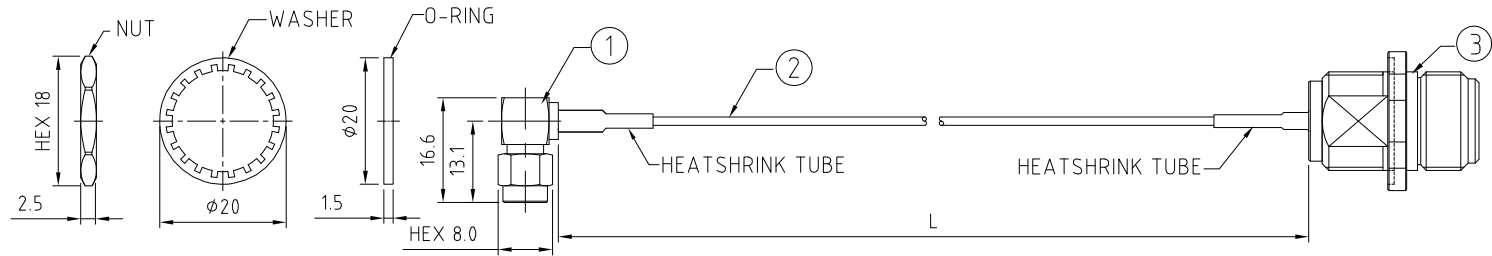
CABLE 192 RF: RF CABLE ASSEMBLY, SMA R/A PLUG + FRONT MOUNT N S/T BULKHEAD JACK WITH O-RING + 1.37MM CABLE

SPECIFICATIONS :

1. SMA RIGHT ANGLE PLUG (C01BA31137008).
2. ϕ 1.37MM COAXIAL CABLE, COLOR: BLACK.
3. FRONT MOUNT N STRAIGHT BULKHEAD JACK WITH O-RING (C28CL3F178017B).

NOTES:

1. THE ORIENTATION OF CONNECTORS ON DRAWING IS FOR REFERENCE ONLY, IF THE ORDER IS LEFT BLANK THE CONNECTOR WILL NOT HAVE FIXED ORIENTATION.
2. FIXED ORIENTATION IS SUGGESTED FOR CABLE LENGTH 50MM TO 100MM. PLEASE SPECIFY THE FIXED ORIENTATIONS FROM THE ORDER CODE (F1, F2, ETC)
3. CONTACT GRAD CONN IF THE ORIENTATION YOU REQUIRE IS NOT SHOWN.
4. WORKING FREQUENCY RANGE: DC-3GHz



N JACK DETAIL DRAWING

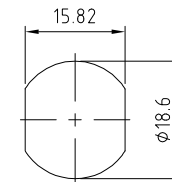
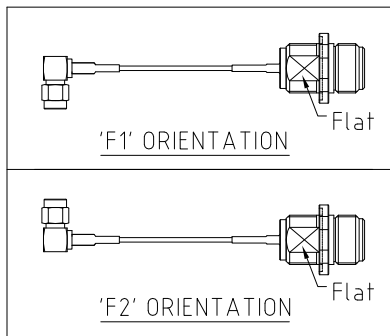
HOW TO ORDER
CABLE 192 RF - X X X X - X X - X - 1

"L" LENGTH IN MM:
eg: 100MM = 0100 (MIN. 0050)
STANDARD = 0100, 0150, 0200)
TOLERANCE: <50mm : \pm 2mm.
51-200mm : \pm 5mm.
201-500mm : \pm 7mm.
>501mm : \pm 10mm.

CABLE SIZE:
1 = ϕ 1.37MM CABLE, COLOR: BLACK

O-RING, WASHER AND NUT OPTIONS:
BLANK = SEPARATELY PACKED (STANDARD)
A = ASSEMBLED WITH CONNECTOR

ORIENTATION OPTIONS:
BLANK = DOES NOT HAVE A FIXED ORIENTATION
F1 = SMA CONNECTION DOWN (L=50-220MM)
F2 = SMA CONNECTION UP (L=50-220MM)
(SEE NOTES 1, 2, 3 AND DIAGRAMS FOR MORE INFORMATION)



RECOMMENDED N MOUNTING HOLE

Scale: NTS	THIRD ANGLE	Unstated X .XX .XXX ANGLES	Tolerances: \pm 0.2 \pm 0.1 \pm 0.05 \pm 5	Material SEE NOTE
Drawn: NYW				
App'd: XXX	Title CABLE ASSEMBLY			NOT TO SCALE
Date: 27 NOV. '14	Revision: 1.0			Unit: mm

www.gradconn.com

THIS DRAWING IS CONFIDENTIAL AND MUST NOT BE COPIED OR DISCLOSED WITHOUT WRITTEN CONSENT

Type: Cable 192 RF
CABLE 192 RF
Drawing Number:
Sheet 1 of 1
Drawing © E and O E