

CABLE 190 RF: RF CABLE ASSEMBLY, I-PEX MHF + FRONT MOUNT RP TNC BULKHEAD WITH O-RING + 1.32MM DOUBLE SHIELD CABLE

SPECIFICATIONS :

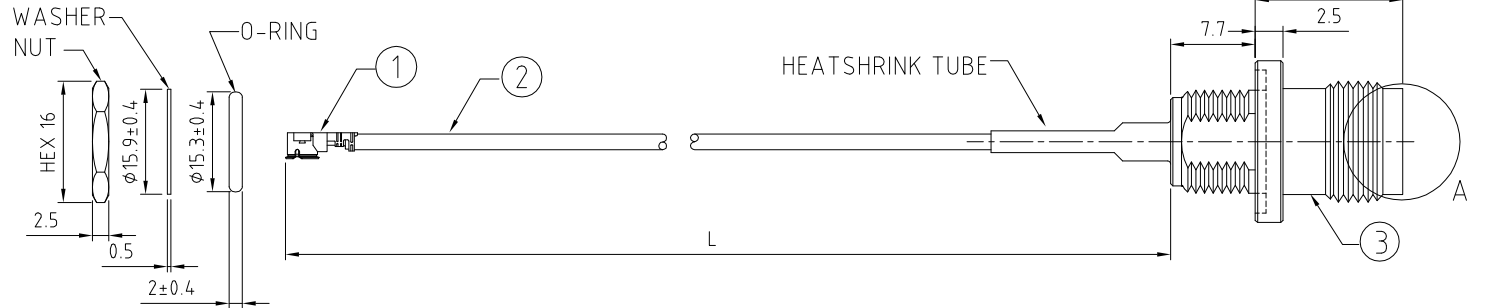
1. I-PEX MHF PLUG , P/N: 20278-112R-32
2.  $\phi$ 1.32 DOUBLE SHIELD COAXIAL CABLE, COLOR: GRAY.
3. FRONT MOUNT RP TNC BULKHEAD JACK WITH O-RING, P/N: C26CU3F178023.

USAGE PRECAUTIONS: CABLES USING 'MICRO' COAX ARE DELICATE:

- (i) HANDLE WITH CARE.
- (ii) DO NOT TWIST; APPLY EXCESSIVE FORCES OR SHARP BENDS TO THE CABLE. DO NOT FORCEFULLY DEFORM WIRES.
- (iii) CONSULT CONNECTOR MANUFACTURER'S DATASHEETS FOR DETAILED NOTES ON HANDLING INSTRUCTIONS.

NOTES:

1. THE ORIENTATION OF CONNECTORS ON DRAWING IS FOR REFERENCE ONLY, IF THE ORDER IS LEFT BLANK THE CONNECTOR WILL NOT HAVE FIXED ORIENTATION.
2. FIXED ORIENTATION IS SUGGESTED FOR CABLE LENGTH 25MM TO 100MM. PLEASE SPECIFY THE FIXED ORIENTATIONS FROM THE ORDER CODE (F1, F2, ETC)
3. CONTACT GRAD CONN IF THE ORIENTATION YOU REQUIRE IS NOT SHOWN.
4. WORKING FREQUENCY RANGE: DC-3GHZ



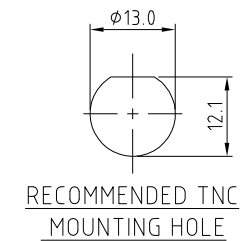
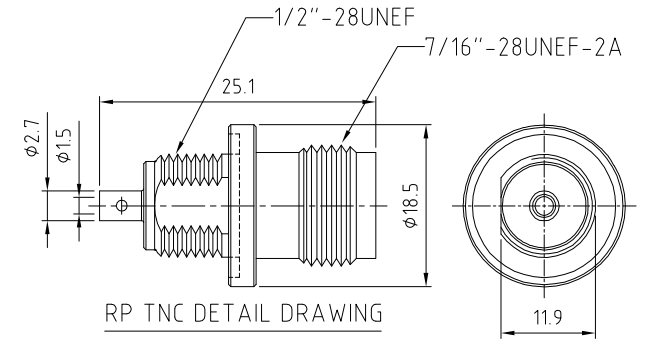
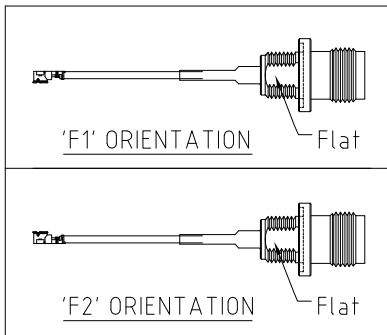
HOW TO ORDER  
 CABLE 190 RF - X X X - X X - X - 1

"L" LENGTH IN MM:  
 eg: 100MM = 100  
 (MIN. 025-MAX.999  
 STANDARD = 100, 150, 200)  
 Tolerance: <50mm : ±2mm.  
 51-200mm: ±5mm.  
 201-500mm: ±7mm.  
 501-999mm: ±10mm.

CABLE SIZE OPTIONS:  
 1 =  $\phi$ 1.32MM DOUBLE SHIELD CABLE,  
 COLOR: GRAY

O-RING, WASHER AND NUT OPTIONS:  
 BLANK = SEPARATELY PACKED (STANDARD)  
 A = ALL ASSEMBLED WITH CONNECTOR

ORIENTATION OPTIONS:  
 BLANK = DOES NOT HAVE A FIXED ORIENTATION  
 F1 = MHF CONNECTION DOWN (L=25-220MM)  
 F2 = MHF CONNECTION UP (L=25-220MM)  
 (SEE NOTES 1, 2, 3 AND DIAGRAMS FOR MORE INFORMATION)



Scale: NTS	THIRD ANGLE	Unstated X .XX .XXX ANGLES	Tolerances: ±0.2 ±0.1 ±0.05 ±5	Material SEE NOTE
Drawn: NYW				
App'd: XXX	Title CABLE ASSEMBLY	NOT TO SCALE		
Date: 25 NOV. '14	Revision: 1.0	Unit: mm		

www.gradconn.com

THIS DRAWING IS CONFIDENTIAL AND MUST NOT BE COPIED OR DISCLOSED WITHOUT WRITTEN CONSENT

Type: Cable 190 RF
CABLE 190 RF
Drawing Number:
Sheet 1 of 1
Drawing © E and O E