

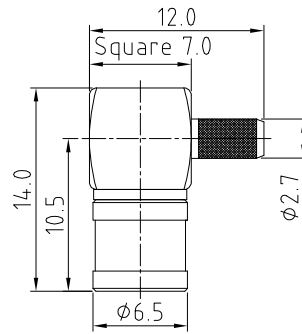
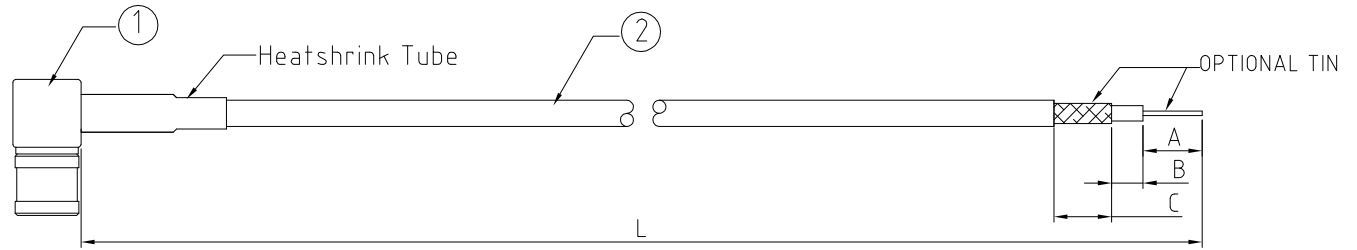
CABLE 166 RF: RF CABLE ASSEMBLY, SMB RIGHT ANGLE PLUG + RG174 CABLE + STRIP/TIN

SPECIFICATIONS :

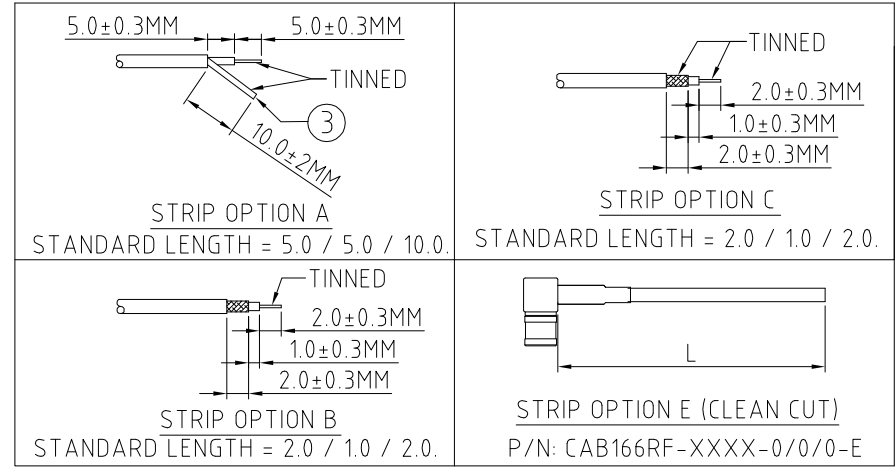
1. SMB RIGHT ANGLE PLUG (C03BA3F174001)
2. RG174 COAXIAL CABLE, COLOR: BLACK
3. TWISTED BRAID OR FLEXIBLE COPPER WIRE, LENGTH = A (CENTRE CONDUCTOR) + B (INSULATOR). MINIMUM = 6.0MM.
LENGTH 6.0MM - 9.9MM: TWISTED BRAID.
LENGTH +10MM: FLEXIBLE COPPER WIRE.

NOTES:

1. STRIP DIMENSION A / B / C STANDS FOR
A = CENTRE CONDUCTOR
B = INSULATOR
C = BRAID.
2. INSERTION LOSS TEST REPORT IS NOT AVAILABLE.
3. THIS IS OUR STANDARD OFFERING, SPECIAL DESIGNS ARE AVAILABLE, INCLUDING CUSTOM TOLERANCES AND SPECIAL BRAID TINNING DESIGNS. PLEASE CONTACT GRADCONN FOR MORE INFORMATION.
4. CENTRE CONDUCTOR AND TWISTED BRAID OF COAX CABLE IS TINNED. WHEN BRAID LENGTH EXCEEDS 10MM LENGTH OF TINNED COPPER WIRE IS SOLDERED TO THE BRAID/SHIELD OF THE COAX CABLE WHICH ALLOWS SOLDERING TO PCB.



SMB Detail Dimension



HOW TO ORDER

CAB166RF - X X X X - X.X / X.X / X.X - X

"L" LENGTH IN MM
eg: 100MM = 0100
(MIN. 025)

STANDARD = 100, 150, 200)

Tolerance: <50mm : ±2mm.

51-200mm: ±5mm.

201-500mm: ±7mm.

>500mm: ±10mm.

A/B/C STRIP DIMENSION IN MM
FOR STANDARD LENGTH PLEASE
REFER TO DRAWINGS.
(SPECIALS AVAILABLE UPON
REQUEST.)

STRIP AND TIN OPTIONS:

A = CENTER CONDUCTOR & TWISTED BRAID/SOLDERED COPPER WIRE TINNED (SEE NOTE 4 FOR SOLDER TO PCB APPLICATION)

B = STRIPPED, END A TINNED

C = STRIPPED, END A & C TINNED

E = CLEAN CUT

REV. DATE & DRN
10 23/02/13 - NYW RELEASE
11 22/05/15 - NYW REMOVE STRIP OPTION '0'
AMEND STRIP OPTION 'A'
ADD SMB DETAIL DRAWING

Scale: NTS	THIRD ANGLE	Unstated X .XX .XXX ANGLES	Tolerances: ±0.2 ±0.1 ±0.05 ±5	Material SEE NOTE
Drawn: NYW				
App'd: XXX	Title: CABLE ASSEMBLY	NOT TO SCALE		
Date: 22 MAY '15	Revision: 1.1	Unit: mm		



www.gradconn.com

THIS DRAWING IS CONFIDENTIAL AND MUST NOT BE COPIED OR DISCLOSED WITHOUT WRITTEN CONSENT

Type: Cable 166 RF

CABLE 166 RF

Drawing Number:

Sheet 1 of 1

Drawing © E and O E