

CABLE 164 RF: MMCX STRAIGHT PLUG + RG174 CABLE + TNC STRAIGHT BULKHEAD JACK WITH O-RING RATED TO IP67/68

SPECIFICATIONS:

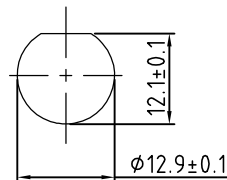
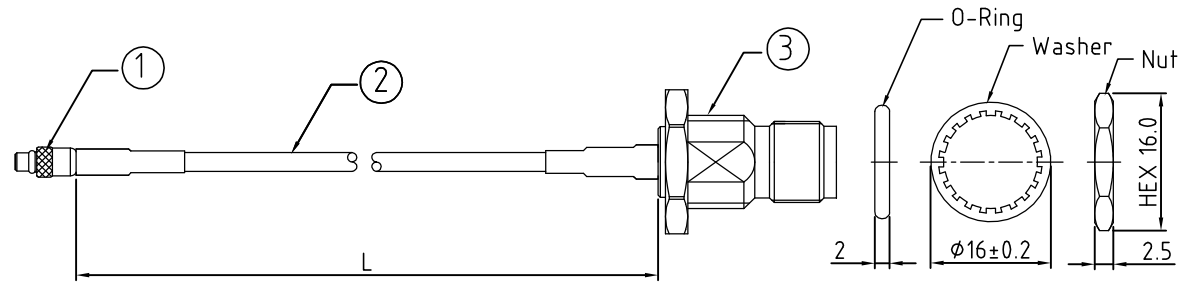
1. MMCX STRAIGHT PLUG, P/N: C05AA3F174003.
2. RG174 COAXIAL CABLE, COLOR: BLACK.
3. TNC STRAIGHT BULKHEAD JACK WITH O-RING RATED TO IP67/68, P/N: RFCT-TNC002-F74.

ENVIRONMENTAL:

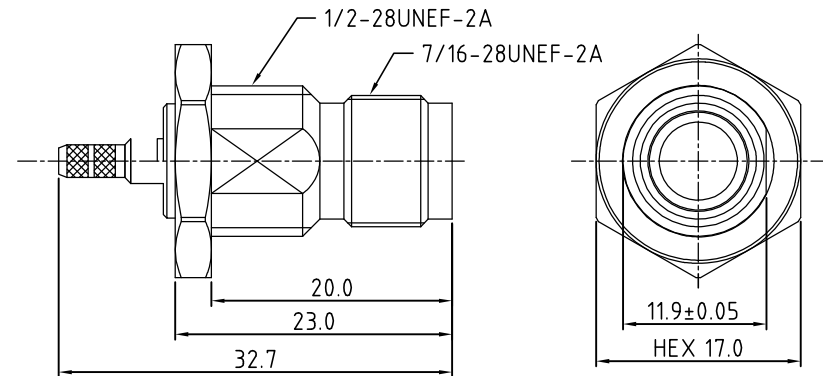
- A. BULKHEAD MOUNTED CONNECTOR (RFCT-TNC002-F74) TESTED TO THE FOLLOWING SPECIFICATION:
- i. IP6X - DUST TIGHT - NO PARTICLE INGRESS.
  - ii. IPX7 WATERPROOF FOR 30 MINUTES UP TO 1 METER UNDERWATER.
  - iii. IPX8 WATERPROOF FOR 48 HOURS AT 1 METER UNDERWATER.
  - iv. IPX8 WATERPROOF FOR 12 HOURS AT 5 METERS UNDERWATER.
  - v. PRESSURE TEST - 1 BAR FOR 10 SECONDS.

NOTES:

1. WORKING FREQUENCY RANGE: DC-3GHz.



RECOMMENDED TNC MOUNTING HOLE



TNC DETAIL DRAWING

HOW TO ORDER

CABLE 164 RF - X X X X - X - 1

CABLE SIZE OPTIONS:  
1 = RG174 CABLE, COLOR: BLACK

"L" LENGTH IN MM  
eg: 100MM = 0100  
(MIN. = 0050, MAX. = 2000,  
STANDARD = 0100, 0150, 0200)  
Tolerance: 50-200mm: ±5mm.  
201-500mm: ±7mm.  
>500mm: ±10mm.

O-RING, WASHER AND NUT OPTIONS:  
BLANK = SEPARATELY PACKED (STANDARD)  
A = ASSEMBLED WITH CONNECTOR

REV. DATE & DRN  
11 27/07/15 - NYW RELEASE  
10 27/07/15 - NYW NUMBER  
9 27/07/15 - NYW NUMBER  
8 27/07/15 - NYW NUMBER  
7 27/07/15 - NYW NUMBER  
6 27/07/15 - NYW NUMBER  
5 27/07/15 - NYW NUMBER  
4 27/07/15 - NYW NUMBER  
3 27/07/15 - NYW NUMBER  
2 27/07/15 - NYW NUMBER  
1 27/07/15 - NYW NUMBER

Scale: NTS	THIRD ANGLE	Unstated Tolerances: X ±0.2 .XX ±0.1 .XXX ±0.05 ANGLES ±5
Drawn: NYW		
App'd: XXX	Title CABLE ASSEMBLY	
Date: 27 JUL. '15	Revision: 1.2	Unit: mm

IP67/68 Rated Cables

www.gradconn.com

Type: Cable 164 RF
CABLE 164 RF
Drawing Number:
Sheet 1 of 1
Drawing © E and O E

THIS DRAWING IS CONFIDENTIAL AND MUST NOT BE COPIED OR DISCLOSED WITHOUT WRITTEN CONSENT