

CABLE 163 RF: MMCX STRAIGHT PLUG + RG174 CABLE + BNC STRAIGHT BULKHEAD JACK WITH O-RING RATED TO IP67/68

SPECIFICATIONS:

1. MMCX STRAIGHT PLUG, P/N: C05AA3F174.003.
2. RG174 COAXIAL CABLE, COLOR: BLACK.
3. BNC STRAIGHT BULKHEAD JACK WITH O-RING RATED TO IP67/68, P/N: RFCT-BNC001-F74.

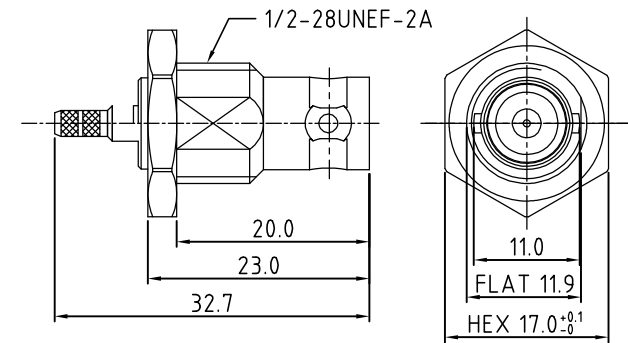
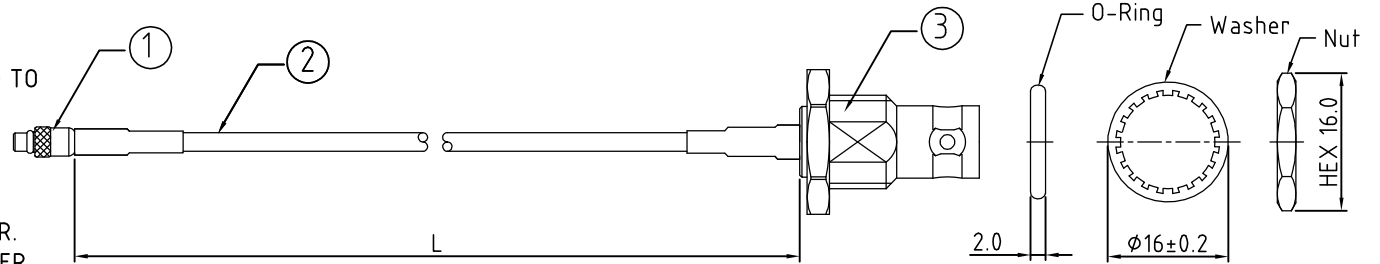
ENVIRONMENTAL:

A. BULKHEAD MOUNTED CONNECTOR (RFCT-BNC001-F74) TESTED TO THE FOLLOWING SPECIFICATION:

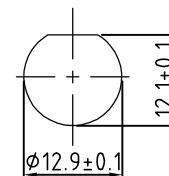
- i. IP6X - DUST TIGHT - NO PARTICLE INGRESS.
- ii. IPX7 WATERPROOF FOR 30 MINUTES UP TO 1 METER UNDERWATER.
- iii. IPX8 WATERPROOF FOR 48 HOURS AT 1 METER UNDERWATER.
- iv. IPX8 WATERPROOF FOR 12 HOURS AT 5 METERS UNDERWATER.
- v. PRESSURE TEST - 1 BAR FOR 10 SECONDS.

NOTES:

1. WORKING FREQUENCY RANGE: DC-3GHz.



BNC DETAIL DRAWING



RECOMMENDED BNC MOUNTING HOLE

HOW TO ORDER

CABLE 163 RF - X X X X - X - 1

"L" LENGTH IN MM
 eg: 100MM = 0100
 (MIN. = 0050, MAX. = 2000,
 STANDARD = 0100, 0150, 0200)
 Tolerance: 50-200mm: ±5mm.
 201-500mm: ±7mm.
 >500mm: ±10mm.

CABLE SIZE OPTIONS:
 1 = RG174 CABLE, COLOR: BLACK

O-RING, WASHER AND NUT OPTIONS:
 BLANK = SEPARATELY PACKED (STANDARD)
 A = ASSEMBLED WITH CONNECTOR

REV. DATE & DRN
 TO 28/07/15 - NEW RELEASE
 11 28/07/15 - NEW PART NUMBER
 12 30/10/15 - B.A.
 ADD IP67/68 RATING INFO.

Scale: NTS	THIRD ANGLE	Unstated Tolerances: X ±0.2 .XX ±0.1 .XXX ±0.05 ANGLES ±5
Drawn: NYW		
App'd: XXX	Title CABLE ASSEMBLY	
Date: 23 JUN. '15	Revision: 1.2	Unit: mm

NAUTILUS
 IP67/68 Rated Cables

GRADCONN
 www.gradconn.com

Type: Cable 163 RF
CABLE 163 RF
Drawing Number:
Sheet 1 of 1
Drawing © E and O E

THIS DRAWING IS CONFIDENTIAL AND MUST NOT BE COPIED OR DISCLOSED WITHOUT WRITTEN CONSENT