



CABLE 160 RF: I-PEX MHF + RP TNC BULKHEAD JACK WITH O-RING RATED TO IP67/68 + MULTIPLE CABLE SIZES

SPECIFICATIONS :

1. I-PEX MHF PLUG,  
FOR  $\phi 1.32\text{mm}$  CABLE: 20278-112R-32.  
FOR  $\phi 1.37\text{mm}$  CABLE: 20351-112R-37.
2. COAXIAL CABLE, SEE P/N OPTIONS.
3. RP TNC BULKHEAD JACK WITH O-RING RATED TO IP67/68,  
P/N: RFCT-TNC004-F78.

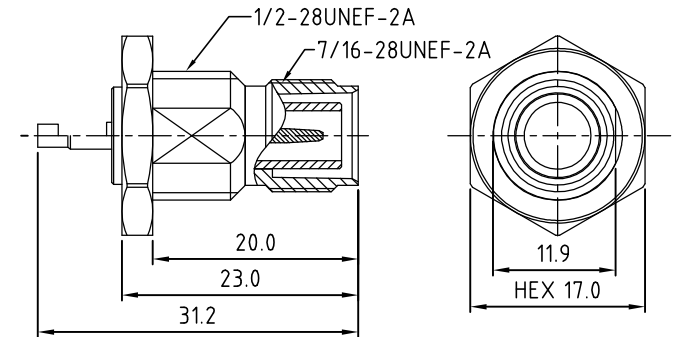
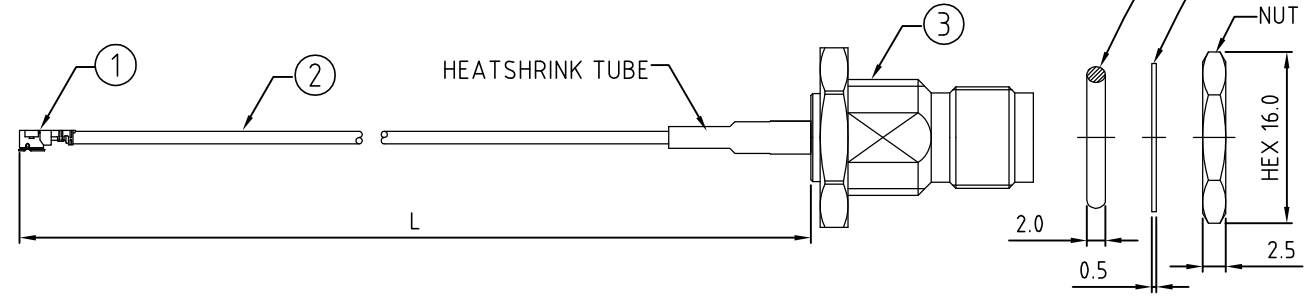
**USAGE PRECAUTIONS: CABLES USING 'MICRO' COAX ARE DELICATE:**  
 (i) HANDLE WITH CARE.  
 (ii) DO NOT TWIST; APPLY EXCESSIVE FORCES OR SHARP BENDS TO THE CABLE. DO NOT FORCEFULLY DEFORM WIRES.  
 (iii) CONSULT CONNECTOR MANUFACTURER'S DATASHEETS FOR DETAILED NOTES ON HANDLING INSTRUCTIONS.

ENVIRONMENTAL:

- A. BULKHEAD MOUNTED CONNECTOR (RFCT-TNC004-F78) TESTED TO THE FOLLOWING SPECIFICATION:
- i. IP6X - DUST TIGHT - NO PARTICLE INGRESS.
  - ii. IPX7 WATERPROOF FOR 30 MINUTES UP TO 1 METER UNDERWATER.
  - iii. IPX8 WATERPROOF FOR 48 HOURS AT 1 METER UNDERWATER.
  - iv. IPX8 WATERPROOF FOR 12 HOURS AT 5 METERS UNDERWATER.
  - v. PRESSURE TEST - 1 BAR FOR 10 SECONDS.

NOTES:

1. THE ORIENTATION OF CONNECTORS ON DRAWING IS FOR REFERENCE ONLY, IF THE ORDER IS LEFT BLANK THE CONNECTOR WILL NOT HAVE FIXED ORIENTATION.
2. FIXED ORIENTATION IS SUGGESTED FOR CABLE LENGTH 25MM TO 100MM. PLEASE SPECIFY THE FIXED ORIENTATIONS FROM THE ORDER CODE (F1, F2, ETC)
3. CONTACT GRADCONN IF THE ORIENTATION YOU REQUIRE IS NOT SHOWN.
4. WORKING FREQUENCY RANGE: DC-3GHz.



TNC DETAIL DRAWING

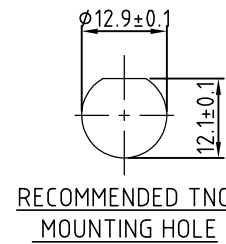
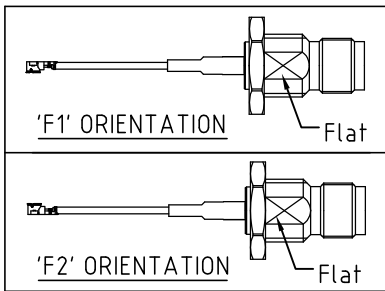
HOW TO ORDER  
 CABLE 160 RF - X X X - X X - X - X

"L" LENGTH IN MM:  
 eg: 100MM = 100  
 (MIN. 025-MAX.400)  
 STANDARD = 100, 150, 200)  
 Tolerance: <math>\pm 5\text{mm}</math>  
 51-200mm:  $\pm 5\text{mm}</math>  
 201-400mm:  $\pm 7\text{mm}</math>$$

CABLE SIZE:  
 1 =  $\phi 1.32\text{mm}$  CABLE, COLOR: GRAY  
 2 =  $\phi 1.37\text{mm}$  CABLE, COLOR: BLACK

O-RING, WASHER AND NUT OPTIONS:  
 BLANK = SEPARATELY PACKED (STANDARD)  
 A = ALL ASSEMBLED WITH CONNECTOR

ORIENTATION OPTIONS:  
 BLANK = DOES NOT HAVE A FIXED ORIENTATION  
 F1 = MHF CONNECTION DOWN (L=25-100MM)  
 F2 = MHF CONNECTION UP (L=25-100MM)  
 (SEE NOTES 1, 2, 3 AND DIAGRAMS FOR MORE INFORMATION)



RECOMMENDED TNC MOUNTING HOLE

REV. DATE & DRN  
 10 25/11/13 - NYW RELEASE  
 11 23/07/15 - NYW UPDATE TNC PART NUMBER, ASSEMBLY MOUNTING HOLE SIZE, ASSEMBLY D-FLAT DIMENSION.  
 12 30/05/16 - NYW ADD 137 TNC OPTION.  
 13 30/05/16 - NYW ADD 137 CABLE OPTION.

Scale: NTS	THIRD ANGLE	Unstated Tolerances:
Drawn: NYW		.X $\pm 0.2$ .XX $\pm 0.1$ .XXX $\pm 0.05$ ANGLES $\pm 5$
App'd: XXX	Title CABLE ASSEMBLY	
Date: 30 May '16	Revision: 1.3	Unit: mm

IP67/68 Rated Cables      www.gradconn.com

© THIS DRAWING IS CONFIDENTIAL AND MUST NOT BE COPIED OR DISCLOSED WITHOUT WRITTEN CONSENT

Type: Cable 160 RF
CABLE 160 RF
Drawing Number:
Sheet 1 of 1
Drawing © E and O E