

CABLE 158 RF: HIROSE H.FL + FRONT MOUNT RP TNC BULKHEAD WITH O-RING RATED TO IP67/68 + MULTIPLE CABLE SIZES

SPECIFICATIONS :

1. HIROSE H.FL PLUG : H.FL-LP
2. COAXIAL CABLE, SEE CABLE SIZE OPTIONS.
3. FRONT MOUNT RP TNC BULKHEAD JACK WITH O-RING RATED TO IP67/68, P/N: RFCT-TNC003-F78.

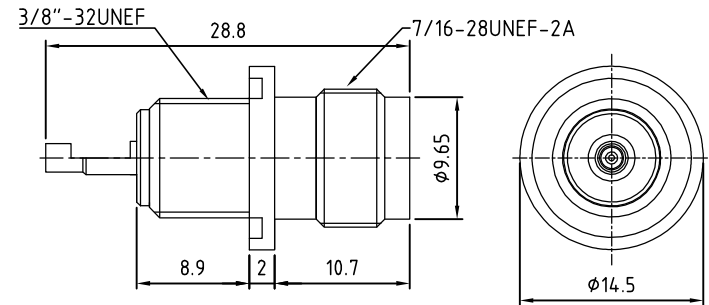
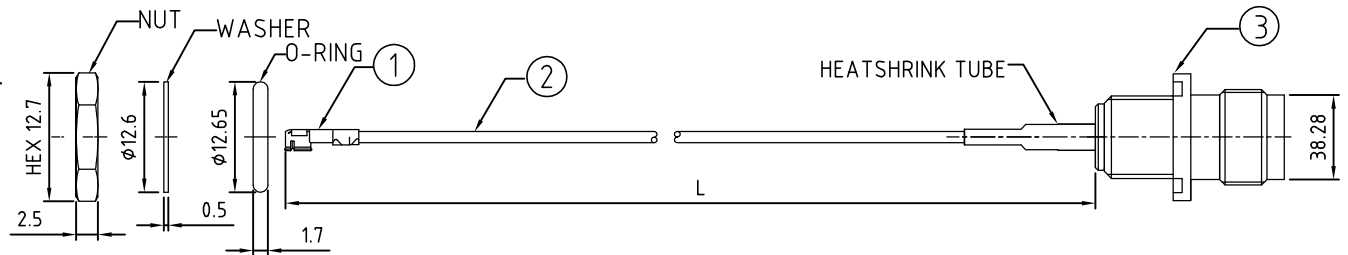
USAGE PRECAUTIONS: CABLES USING 'MICRO' COAX ARE DELICATE:
 (i) HANDLE WITH CARE.
 (ii) DO NOT TWIST; APPLY EXCESSIVE FORCES OR SHARP BENDS TO THE CABLE. DO NOT FORCEFULLY DEFORM WIRES.
 (iii) CONSULT CONNECTOR MANUFACTURER'S DATASHEETS FOR DETAILED NOTES ON HANDLING INSTRUCTIONS.

ENVIRONMENTAL:

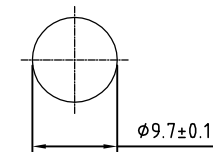
- A. BULKHEAD MOUNTED CONNECTOR (RFCT-TNC003-F78) RATED TO THE FOLLOWING SPECIFICATION:
- i. IP6X - DUST TIGHT - NO PARTICLE INGRESS.
 - ii. IPX7 WATERPROOF FOR 30 MINUTES UP TO 1 METER UNDERWATER.
 - iii. IPX8 WATERPROOF FOR 48 HOURS AT 1 METER UNDERWATER.

NOTES:

1. WORKING FREQUENCY RANGE: DC-3GHz



RP TNC DETAIL DRAWING



RECOMMENDED TNC MOUNTING HOLE

HOW TO ORDER

CABLE 158 RF - X X X - X - X

"L" LENGTH IN MM:
 eg: 100MM = 100
 (MIN. 025-MAX.400)
 STANDARD = 100, 150, 200
 Tolerance: <50mm : ±2mm.
 51-200mm: ±5mm.
 201-400mm: ±7mm.

CABLE SIZE OPTIONS:
 BLANK = φ1.32MM DOUBLE BRAID CABLE, COLOR: GRAY
 1 = φ1.37MM CABLE, COLOR: BLACK (STANDARD)

O-RING, WASHER AND NUT OPTIONS:
 BLANK = SEPARATELY PACKED (STANDARD)
 A = ALL ASSEMBLED WITH CONNECTOR
 B = ONLY O-RING ASSEMBLED WITH CONNECTOR

REV. DATE & DRN	10 31/07/13 - NYW RELEASE
	11 16/07/14 - NYW ADD 137MM CABLE OPTION
	12 23/07/15 - NYW CHANGE TNC CONNECTOR. REMOVE ORIENTATION OPTIONS.
	13 30/07/15 - NYW ADD IP67/68 RATING INFO.

Scale: NTS	THIRD ANGLE	Unstated Tolerances:
Drawn: NYW		.X ±0.2 .XX ±0.1 .XXX ±0.05 ANGLES ±5
App'd: XXX	Title CABLE ASSEMBLY	
Date: 23 JUL. '15	Revision: 1.3	Unit: mm

 IP67/68 Rated Cables	 www.gradconn.com	Type: Cable 158 RF
		CABLE 158 RF
Drawing Number:		Sheet 1 of 1
THIS DRAWING IS CONFIDENTIAL AND MUST NOT BE COPIED OR DISCLOSED WITHOUT WRITTEN CONSENT		Drawing © E and O E