

CABLE 153 RF: RF CABLE ASSEMBLY, PROBE R/A PLUG + SMA STRAIGHT BULKHEAD JACK + Ø1.37 CABLE

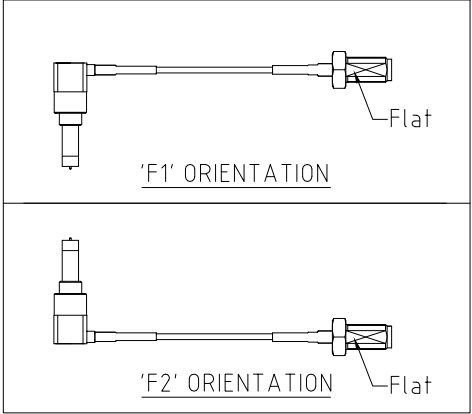
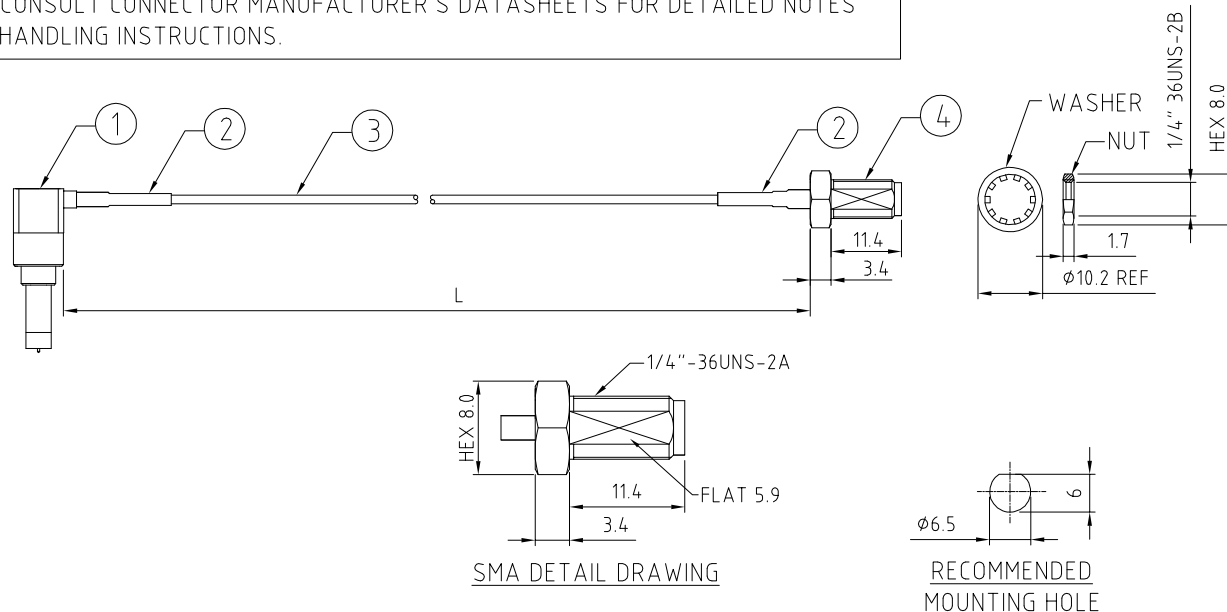
SPECIFICATIONS :

1. PROBE R/A PLUG MALE (C97BA33137001-1)
(SEE NEXT PAGE FOR DETAIL DRAWING.)
2. HEATSHRINK, BLACK
3. Ø1.37MM COAXIAL CABLE, COLOR: BLACK.
4. SMA STRAIGHT BULKHEAD JACK FEMALE (RFCT-SMA004-F37)

NOTES:

1. THE ORIENTATION OF CONNECTORS ON DRAWING IS FOR REFERENCE ONLY, IF THE ORDER IS LEFT BLANK THE CONNECTOR WILL NOT HAVE FIXED ORIENTATION.
2. FIXED ORIENTATION IS POSSIBLE FOR CABLE LENGTH 25MM TO 220MM. PLEASE SPECIFY THE FIXED ORIENTATIONS FROM THE ORDER CODE (F1, F2, ETC)
3. CONTACT GRADCONN IF THE ORIENTATION YOU REQUIRE IS NOT SHOWN.
4. WORKING FREQUENCY RANGE: DC-6GHz

USAGE PRECAUTIONS: CABLES USING 'MICRO' COAX ARE DELICATE:
 (i) HANDLE WITH CARE.
 (ii) DO NOT TWIST; APPLY EXCESSIVE FORCES OR SHARP BENDS TO THE CABLE. DO NOT FORCEFULLY DEFORM WIRES.
 (iii) CONSULT CONNECTOR MANUFACTURER'S DATASHEETS FOR DETAILED NOTES ON HANDLING INSTRUCTIONS.



HOW TO ORDER

CABLE 153 RF - X X X - X X - X - 1

"L" LENGTH IN MM:
 eg: 100MM = 100
 (MIN. 025, MAX 400
 STANDARD = 100, 150, 200)
 Tolerance: <50mm : ±2mm.
 51-200mm: ±5mm.
 201-400mm: ±7mm.

CABLE SIZE:
 1 = Ø1.37MM CABLE, COLOR: BLACK

WASHER AND NUT OPTIONS:
 BLANK = SEPARATELY PACKED (STANDARD)
 A = ASSEMBLED WITH CONNECTOR

ORIENTATION OPTIONS:
 BLANK = DOES NOT HAVE A FIXED ORIENTATION
 F1 = PROBE R/A CONNECTION DOWN (L=25-220MM)
 F2 = PROBE R/A CONNECTION UP (L=25-220MM)
 (SEE NOTES 1, 2, 3 AND DIAGRAMS FOR MORE INFORMATION)

REV. DATE & DRN
 10 30/07/13 - R/H RELEASE
 11 26/06/14 - NYW
 12 09/09/20 - NYW
 ADD SMA D-FLAT DIMENSION
 AMEND SMA P/N & HEX.

Scale: NTS	THIRD ANGLE	Unstated X .XX .XXX ANGLES	Tolerances: N/A N/A N/A N/A	Material SEE NOTE
Drawn: RJH				
App'd: XXX	Title CABLE ASSEMBLY	NOT TO SCALE		
Date: 09 SEP. '20	Revision:12	Unit: mm		

www.gradconn.com

THIS DRAWING IS CONFIDENTIAL AND MUST NOT BE COPIED OR DISCLOSED WITHOUT WRITTEN CONSENT

Type: Cable 153 RF
CABLE 153 RF
Drawing Number:
Sheet 1 of 1
Drawing © E and O E

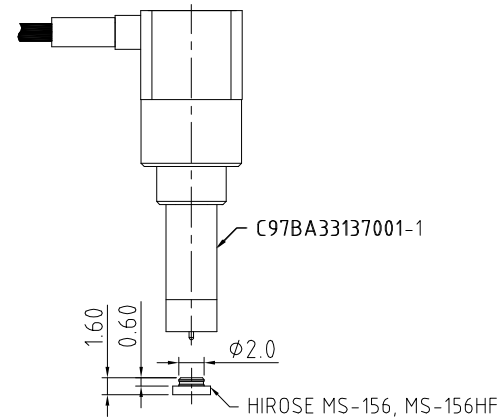
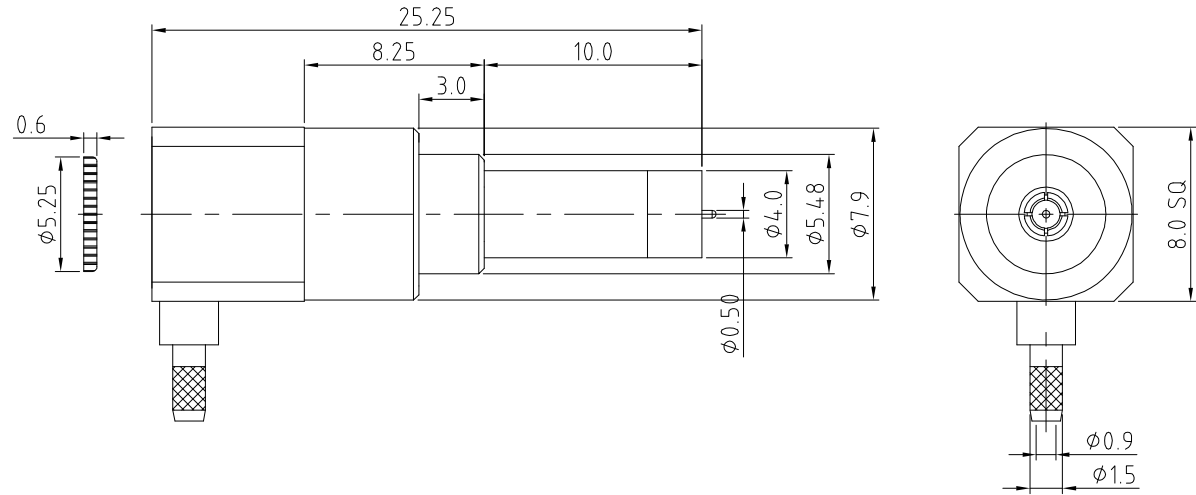


C97BA33137001-1: PROBE RIGHT ANGLE PLUG, CRIMP TYPE FOR Ø1.37 CABLE

MATERIAL AND FINISH: -
 BODY: BRASS, GOLD PLATED.
 CENTER CONTACT: BRASS/PHOSPHOR BRONZE, GOLD PLATED.
 INSULATOR: TEFLON.
 SPRING: SUS 304.
 SLEEVE: BRASS, GOLD PLATED.
 CAP: BRASS, NICKEL PLATED.
 CRIMP FERRULE: BRASS, NICKEL PLATED.

SPECIFICATION: -
 FREQUENCY RANGE: DC - 6 GHz.
 IMPEDANCE: 50 Ohms
 VSWR: DC - 3 GHz < 1.4
 3 - 6 GHz < 1.8
 DIELECTRIC WITHSTANDING VOLTAGE: 300V rms
 INSULATION RESISTANCE: 500M Ohms
 COUPLING METHOD: SNAP-ON
 DURABILITY (MATING/UNMATING): 500 CYCLES
 EXTRACTION FORCE: 30N MAX
 DISENGAGEMENT FORCE: 3~40N.
 TEMPERATURE RANGE: -40° TO +85°

MATE WITH: HIROSE MS-156 AND MS-156HF SERIES SOCKETS



MATING DIAGRAM

REV. DATE & DRN
 10 30/07/13 - NYW RELEASE

Scale: NTS	THIRD ANGLE	Unstated X .XX .XXX ANGLES	Tolerances: ±0.25 ±0.15 ±0.05 ±2°	Material SEE NOTE
Drawn: NYW				
App'd: XXX	Title: PROBE PLUG	NOT TO SCALE		
Date: 30 JUL '13	Revision: 1.0	Unit: mm		

www.gradconn.com

© THIS DRAWING IS CONFIDENTIAL AND MUST NOT BE COPIED OR DISCLOSED WITHOUT WRITTEN CONSENT

Type: C97BA33137001-1
C97BA33137001-1
Drawing Number:
Sheet 1 of 1
Drawing © E and O E