



CABLE 152 RF: RF CABLE ASSEMBLY, PROBE R/A PLUG + SMA FEMALE BULKHEAD JACK + Ø1.13 CABLE

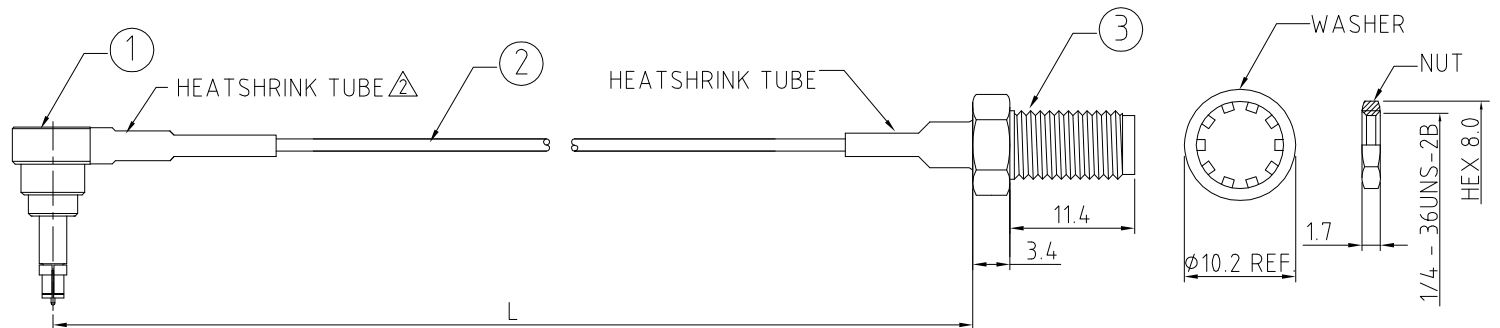
SPECIFICATIONS

1. PROBE RIGHT ANGLE PLUG (P/N C97BA33137001).  
(SEE NEXT PAGE FOR DETAIL DRAWING.)
2. Ø1.13MM COAXIAL CABLE, GRAY.
3. SMA ST BULKHEAD JACK (P/N C02ABWS178003B).

NOTES:

1. THE ORIENTATION OF CONNECTORS ON DRAWING IS FOR REFERENCE ONLY, IF THE ORDER IS LEFT BLANK THE CONNECTOR WILL NOT HAVE FIXED ORIENTATION.
2. FIXED ORIENTATION IS POSSIBLE FOR CABLE LENGTH 25MM TO 220MM. PLEASE SPECIFY THE FIXED ORIENTATIONS FROM THE ORDER CODE (F1, F2, ETC)
3. CONTACT GRAD CONN IF THE ORIENTATION YOU REQUIRE IS NOT SHOWN.
4. WORKING FREQUENCY RANGE: DC - 3GHz.

**USAGE PRECAUTIONS: CABLES USING 'MICRO' COAX ARE DELICATE:**  
 (i) HANDLE WITH CARE.  
 (ii) DO NOT TWIST; APPLY EXCESSIVE FORCES OR SHARP BENDS TO THE CABLE. DO NOT FORCEFULLY DEFORM WIRES.  
 (iii) CONSULT CONNECTOR MANUFACTURER'S DATASHEETS FOR DETAILED NOTES ON HANDLING INSTRUCTIONS.



HOW TO ORDER

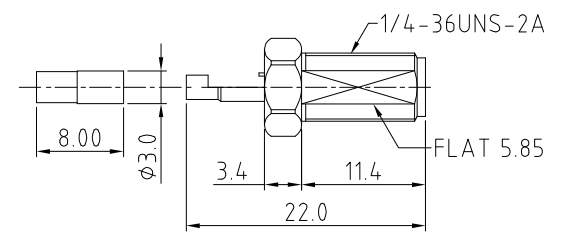
CABLE 152 RF - X X X - X X - X - 1

"L" LENGTH IN MM  
 eg: 100MM = 100  
 (MIN. 025-MAX.400)  
 STANDARD = 100, 150, 200  
 Tolerance: <50mm : ±2mm.  
 51-200mm: ±5mm.  
 201-400mm: ±7mm.

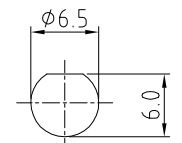
CABLE SIZE:  
 1 = Ø1.13MM CABLE, COLOR: GRAY

WASHER AND NUT OPTIONS:  
 BLANK = SEPARATELY PACKED (STANDARD)  
 A = ASSEMBLED WITH CONNECTOR

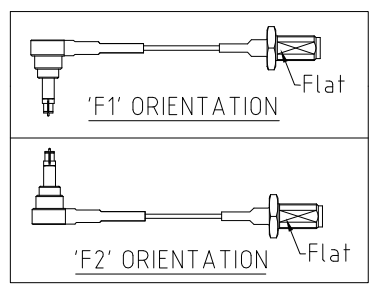
ORIENTATION OPTIONS:  
 BLANK = DOES NOT HAVE A FIXED ORIENTATION  
 F1 = PROBE R/A CONNECTION DOWN (L=25-220MM)  
 F2 = PROBE R/A CONNECTION UP (L=25-220MM)  
 (SEE NOTES 1, 2, 3 AND DIAGRAMS FOR MORE INFORMATION)



SMA JACK DETAIL DIMENSION



RECOMMENDED SMA MOUNTING HOLE



REV. DATE & DRN  
 10 03/07/13 - NYW RELEASE  
 11 16/08/13 - NYW AMEND PROBE DESCRIPTION  
 12 16/10/13 - NYW AMEND HEATSHRINK TUBE.  
 13 24/06/14 - NYW ADD FREQUENCY RANGE.

Scale: NTS	THIRD ANGLE	Unstated X .XX ±0.2 .XXX ±0.1 ANGLES ±0.05 ±5	Material SEE NOTE
Drawn: NYW			
App'd: XXX	Title: CABLE ASSEMBLY	NOT TO SCALE	
Date: 24 JUN. '14	Revision: 13	Unit: mm	

www.gradconn.com

THIS DRAWING IS CONFIDENTIAL AND MUST NOT BE COPIED OR DISCLOSED WITHOUT WRITTEN CONSENT

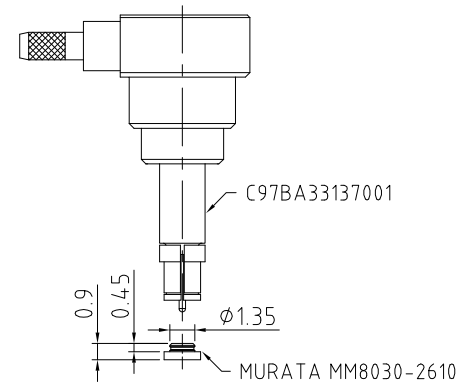
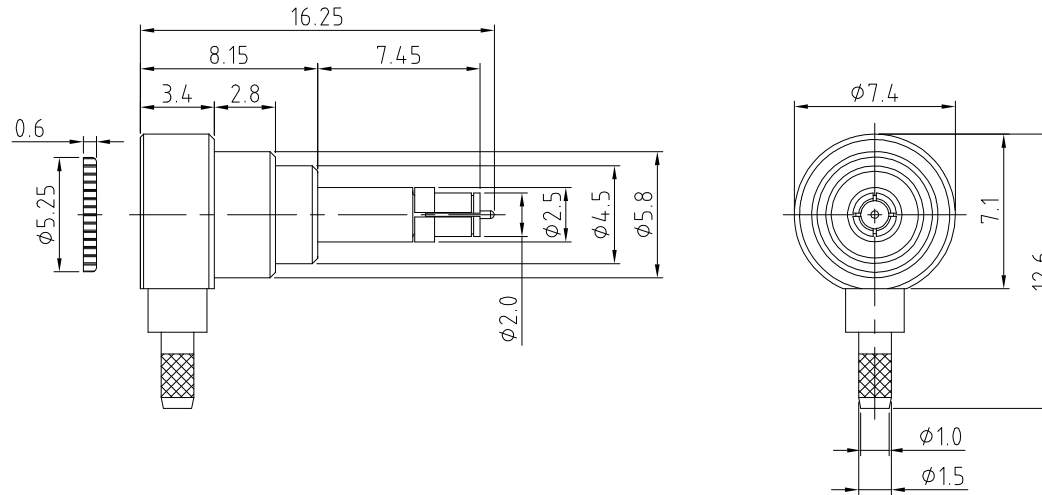
Type: Cable 152 RF
CABLE 152 RF
Drawing Number:
Sheet 1 of 1
Drawing © E and O E

C97BA33137001: PROBE RIGHT ANGLE PLUG, CRIMP TYPE FOR  $\phi 1.13$  AND  $\phi 1.37$  CABLE

MATERIAL AND FINISH: -  
 BODY: BRASS, GOLD PLATED.  
 CENTER CONTACT: BRASS/PHOSPHOR BRONZE, GOLD PLATED.  
 INSULATOR: TEFLON.  
 SPRING: PIANO WIRE, NICKEL PLATED.  
 SLEEVE: BRASS, GOLD PLATED.  
 C-RING: Be Cu, NICKEL PLATED.  
 CAP: BRASS, NICKEL PLATED.  
 CRIMP FERRULE: BRASS, NICKEL PLATED.

SPECIFICATION: -  
 FREQUENCY RANGE: DC - 12 GHz.  
 IMPEDANCE: 50 Ohms  
 VSWR: DC - 3 GHz < 1.2  
       3 - 6 GHz < 1.3  
       6 - 12 GHz < 1.5  
 DIELECTRIC WITHSTANDING VOLTAGE: 300V rms  
 INSULATION RESISTANCE: 500M Ohms  
 COUPLING METHOD: SNAP-ON  
 DURABILITY (MATING/UNMATING): 2,000 CYCLES  
 EXTRACTION FORCE: 3~40N  
 TEMPERATURE RANGE: -40° TO +85°

MATE WITH: MURATA SOCKET P/N MM8030-2610



MATING DIAGRAM

REV. DATE & DRN  
 TO 01/07/13 - NYW RELEASE

Scale: NTS	THIRD ANGLE	Unstated X .XX .XXX ANGLES	Tolerances: $\pm 0.25$ $\pm 0.15$ $\pm 0.05$ $\pm 2^\circ$	Material SEE NOTE
Drawn: NYW				
App'd: XXX	Title: PROBE PLUG	NOT TO SCALE		
Date: 1 JUL '13	Revision: 1.0	Unit: mm		



www.gradconn.com

THIS DRAWING IS CONFIDENTIAL AND MUST NOT BE COPIED OR DISCLOSED WITHOUT WRITTEN CONSENT

Type: C97BA33137001
C97BA33137001
Drawing Number:
Sheet 1 of 1
Drawing © E and O E