

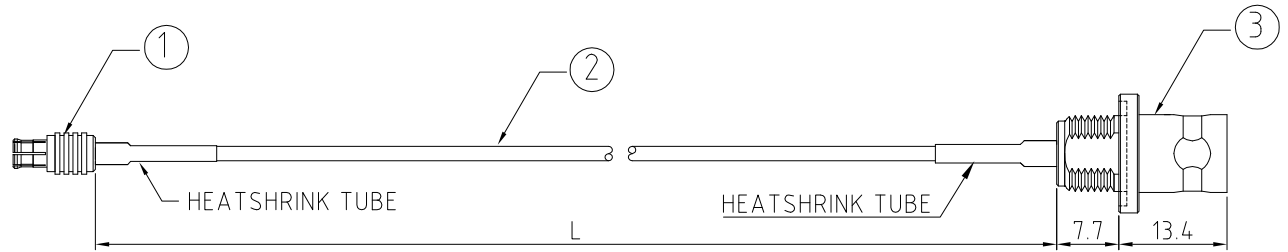
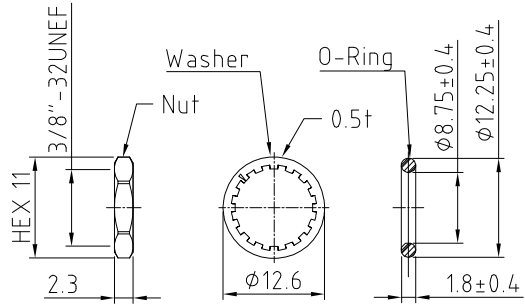
CABLE 150 RF: RF CABLE ASSEMBLY, MCX STRAIGHT PLUG + RG178 CABLE + FRONT MOUNT BNC STRAIGHT BULKHEAD JACK WITH O-RING

SPECIFICATIONS:

1. MCX STRAIGHT PLUG, P/N: C07AA3F178004B.
2. RG178 COAXIAL CABLE, COLOR: BROWN.
3. BNC FRONT MOUNT STRAIGHT BULKHEAD JACK WITH O-RING.

NOTES:

1. WORKING FREQUENCY RANGE: DC-1GHz.



HOW TO ORDER

CABLE 150 RF - X X X X - X - 0

"L" LENGTH IN MM

eg: 100MM = 0100

(MIN. = 0050, MAX. = 2000,

STANDARD = 0100, 0150, 0200)

Tolerance: <50mm : ±2mm.

51-200mm: ±5mm.

201-500mm: ±7mm.

>500mm: ±10mm.

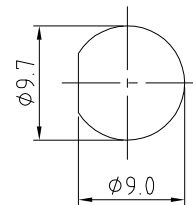
CABLE SIZE OPTIONS:

0 = RG178 CABLE, COLOR: BROWN

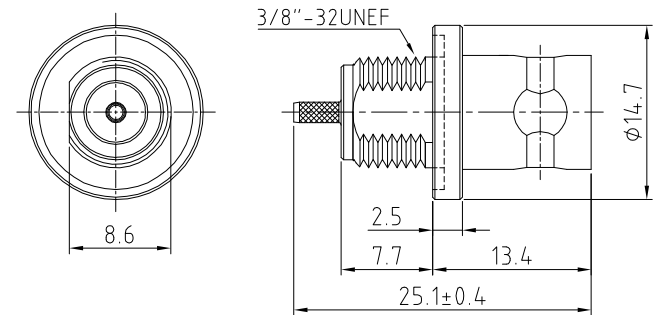
O-RING, WASHER AND NUT OPTIONS:

BLANK = SEPARATELY PACKED (STANDARD)

A = ALL ASSEMBLED WITH CONNECTOR



RECOMMENDED BNC MOUNTING HOLE



BNC DETAIL DRAWING

REV.	DATE & DRN
10	03/07/13 - NYW RELEASE
11	06/07/13 - NYW ADD BNC MOUNTING HOLE
12	07/27/13 - NYW ADD NOTE F, NYW AMEND NUT THICKNESS
13	12/03/15 - NYW

Scale:	NTS	THIRD ANGLE	Unstated Tolerances:	Material
Drawn:	NYW		.X ±0.2 .XX ±0.1 .XXX ±0.05 ANGLES ±5	SEE NOTE
App'd:	XXX	Title	CABLE ASSEMBLY	NOT TO SCALE
Date:	12 MAR. '15	Revision:	1.3	Unit: mm

GRADCONN

www.gradconn.com

THIS DRAWING IS CONFIDENTIAL AND MUST NOT BE COPIED OR DISCLOSED WITHOUT WRITTEN CONSENT

Type:	Cable 150 RF
CABLE 150 RF	
Drawing Number:	
Sheet 1	of 1
Drawing	© E and O E