

CABLE 146 RF: RF CABLE ASSEMBLY, HIROSE H.FL + FRONT MOUNT RP TNC BULKHEAD WITH O-RING + MULTIPLE CABLE SIZES

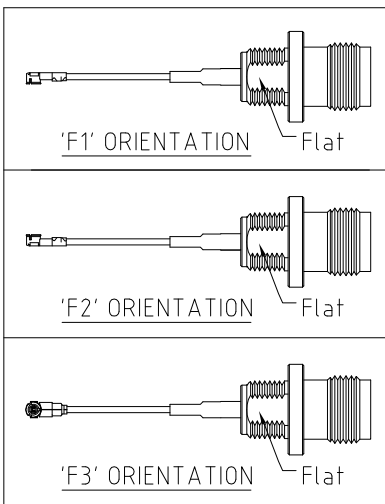
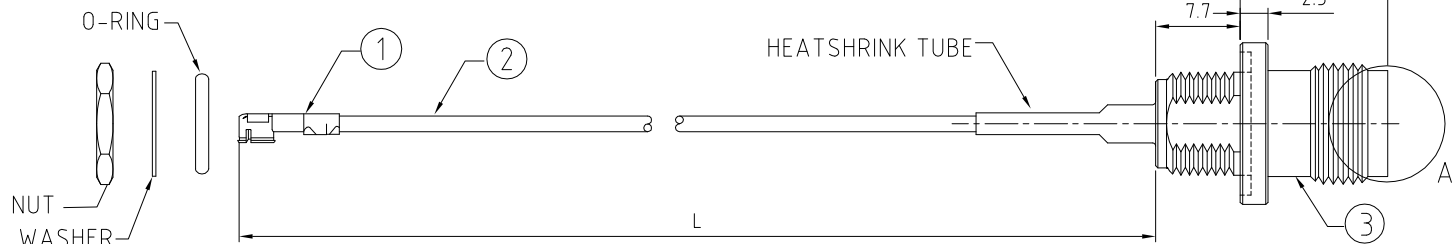
SPECIFICATIONS :

1. HIROSE H.FL PLUG : H.FL-LP
2. COAXIAL CABLE, SEE CABLE SIZE OPTIONS.
3. FRONT MOUNT RP TNC BULKHEAD JACK WITH O-RING (C26CU3F178023).

NOTES:

1. THE ORIENTATION OF CONNECTORS ON DRAWING IS FOR REFERENCE ONLY, IF THE ORDER IS LEFT BLANK THE CONNECTOR WILL NOT HAVE FIXED ORIENTATION.
2. FIXED ORIENTATION IS SUGGESTED FOR CABLE LENGTH 25MM TO 100MM. PLEASE SPECIFY THE FIXED ORIENTATIONS FROM THE ORDER CODE (F1, F2, ETC)
3. CONTACT GRAD CONN IF THE ORIENTATION YOU REQUIRE IS NOT SHOWN.
4. WORKING FREQUENCY RANGE: DC-3GHz

USAGE PRECAUTIONS: CABLES USING 'MICRO' COAX ARE DELICATE:
 (i) HANDLE WITH CARE.
 (ii) DO NOT TWIST; APPLY EXCESSIVE FORCES OR SHARP BENDS TO THE CABLE. DO NOT FORCEFULLY DEFORM WIRES.
 (iii) CONSULT CONNECTOR MANUFACTURER'S DATASHEETS FOR DETAILED NOTES ON HANDLING INSTRUCTIONS.



HOW TO ORDER
 CABLE 146 RF - X X X - X X - X - X

"L" LENGTH IN MM:
 eg: 100MM = 100
 (MIN. 025-MAX.400)

STANDARD = 100, 150, 200

Tolerance: <50mm : ±2mm.

51-200mm: ±5mm.

201-400mm: ±7mm.

CABLE SIZE OPTIONS:

BLANK = Ø1.32MM CABLE, COLOR: GRAY

1 = Ø1.37MM CABLE, COLOR: BLACK (STANDARD)

O-RING, WASHER AND NUT OPTIONS:

BLANK = SEPARATELY PACKED (STANDARD)

A = ALL ASSEMBLED WITH CONNECTOR

Δ B = ONLY O-RING ASSEMBLED WITH CONNECTOR

ORIENTATION OPTIONS:

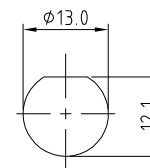
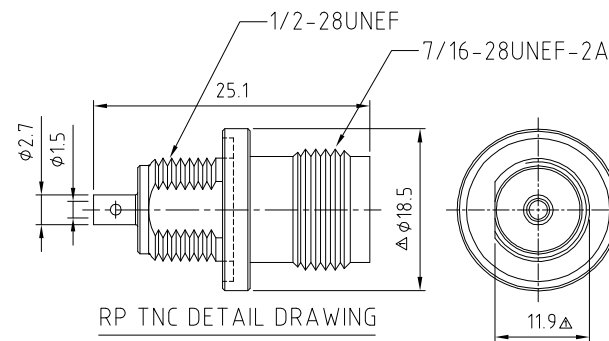
BLANK = DOES NOT HAVE A FIXED ORIENTATION

F1 = H.FL CONNECTION DOWN (L=25-220MM)

F2 = H.FL CONNECTION UP (L=25-220MM)

F3 = H.FL CONNECTION & TNC FLAT SAME ORIENTATION

(SEE NOTES 1, 2, 3 AND DIAGRAMS FOR MORE INFORMATION)



RECOMMENDED TNC MOUNTING HOLE

REV. DATE & DRN
 1.0 18/12/12 - NYW RELEASE
 1.1 09/06/13 - NYW
 Δ. AMEND TNC DIMENSION
 1.2 22/08/13 - NYW
 ΔΔ ADD WASHER & NUT OPTION B
 1.3 16/07/14 - NYW
 ADD 1.37MM CABLE OPTION.

Scale: NTS	THIRD ANGLE	Unstated X .XX .XXX ANGLES	Tolerances: ±0.2 ±0.1 ±0.05 ±5	Material SEE NOTE
Drawn: NYW				
App'd: XXX	Title CABLE ASSEMBLY			NOT TO SCALE
Date: 16 JUL '14	Revision: 1.3			Unit: mm

GRADCONN

www.gradconn.com

THIS DRAWING IS CONFIDENTIAL AND MUST NOT BE COPIED OR DISCLOSED WITHOUT WRITTEN CONSENT

Type: Cable 146 RF
CABLE 146 RF
Drawing Number:
Sheet 1 of 1
Drawing © E and O E