

CABLE 141 RF: RF CABLE ASSEMBLY, HIROSE U.FL PLUG + SMA R/A PLUG WITH O-RING + 1.13mm CABLE - 6GHz

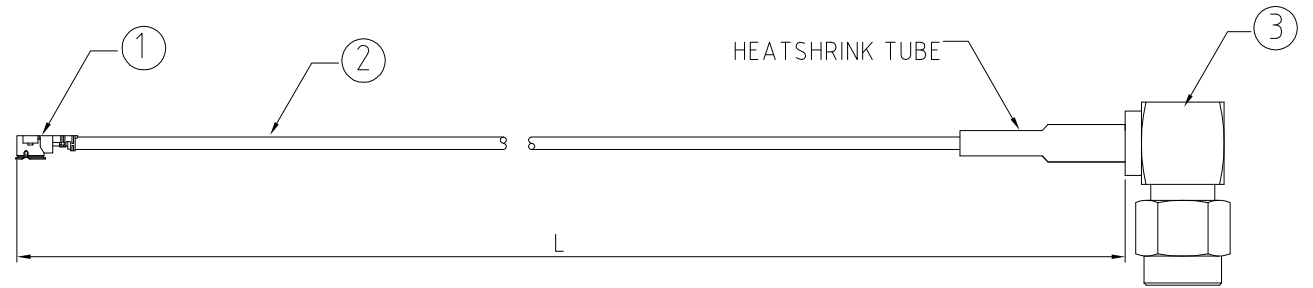
SPECIFICATIONS

1. HIROSE U.FL PLUG P/N: U.FL-LP-068.
2. COAXIAL CABLE (SEE PART NUMBER FOR DETAIL).
3. SMA R/A PLUG WITH O-RING (C01BA31113008), GOLD.

NOTES:

1. THE ORIENTATION OF CONNECTORS ON DRAWING IS FOR REFERENCE ONLY, IF THE ORDER IS LEFT BLANK THE CONNECTOR WILL NOT HAVE FIXED ORIENTATION.
2. FIXED ORIENTATION IS POSSIBLE FOR CABLE LENGTH 25MM TO 220MM. PLEASE SPECIFY THE FIXED ORIENTATIONS FROM THE ORDER CODE (F1, F2, ETC)
3. CONTACT GRAD CONN IF THE ORIENTATION YOU REQUIRE IS NOT SHOWN.
4. WORKING FREQUENCY RANGE: DC-6GHz

USAGE PRECAUTIONS: CABLES USING 'MICRO' COAX ARE DELICATE:
 (i) HANDLE WITH CARE.
 (ii) DO NOT TWIST; APPLY EXCESSIVE FORCES OR SHARP BENDS TO THE CABLE. DO NOT FORCEFULLY DEFORM WIRES.
 (iii) CONSULT CONNECTOR MANUFACTURER'S DATASHEETS FOR DETAILED NOTES ON HANDLING INSTRUCTIONS.

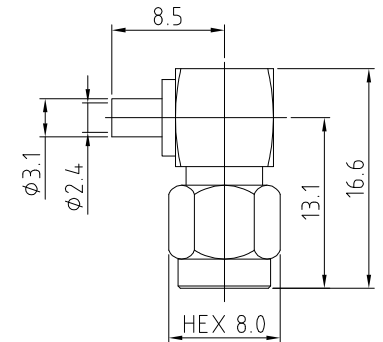


HOW TO ORDER
 CABLE 141 RF - XXX - XX - X

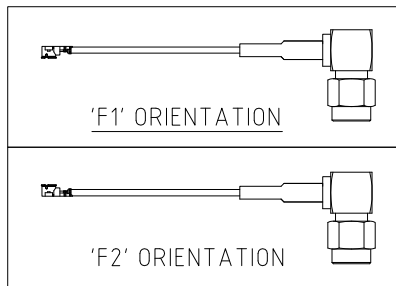
"L" LENGTH IN MM
 eg: 100MM = 100
 (MIN. 025-MAX.400)
 STANDARD = 100, 150, 200)
 Tolerance: <50mm : ±2mm.
 51-200mm: ±5mm.
 201-400mm: ±7mm.

CABLE SIZE OPTIONS:
 0 = Ø1.13mm CABLE, GRAY

ORIENTATION OPTIONS:
 BLANK = DOES NOT HAVE A FIXED ORIENTATION
 F1 = HIROSE CONNECTION DOWN (L=25-220MM)
 F2 = HIROSE CONNECTION UP (L=25-220MM)
 (SEE NOTES 1, 2, 3 AND DIAGRAMS FOR MORE INFORMATION)



SMA PLUG DETAIL DIMENSION



REV. DATE & DRN TO 01/11/12 - NYW RELEASE

Scale: NTS	THIRD ANGLE	Unstated X .XX .XXX ANGLES	Tolerances: ±0.2 ±0.1 ±0.05 ±5	Material: SEE NOTE
Drawn: NYW				
App'd: XXX	Title: CABLE ASSEMBLY	NOT TO SCALE		
Date: 1 NOV. '12	Revision: 1.0	Unit: mm		

© THIS DRAWING IS CONFIDENTIAL AND MUST NOT BE COPIED OR DISCLOSED WITHOUT WRITTEN CONSENT

Type: Cable 141 RF
CABLE 141 RF
Drawing Number:
Sheet 1 of 1
Drawing © E and O E