



CABLE 140 RF: RF CABLE ASSEMBLY, HIROSE H.FL + TNC STRAIGHT BULKHEAD JACK WITH O-RING RATED TO IP67/68 + 1.48MM CABLE

SPECIFICATIONS :

1. HIROSE H.FL PLUG (H.FL-LP)
2. SEE CABLE SIZE OPTIONS.
3. TNC STRAIGHT BULKHEAD JACK WITH O-RING RATED TO IP67/68, P/N: RFCT-TNC005-F78.

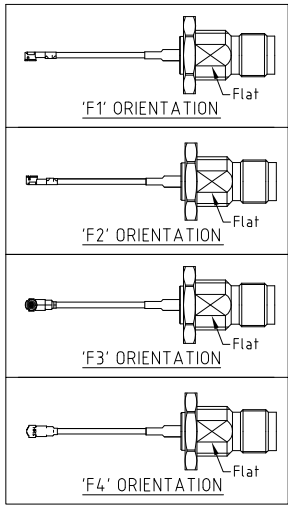
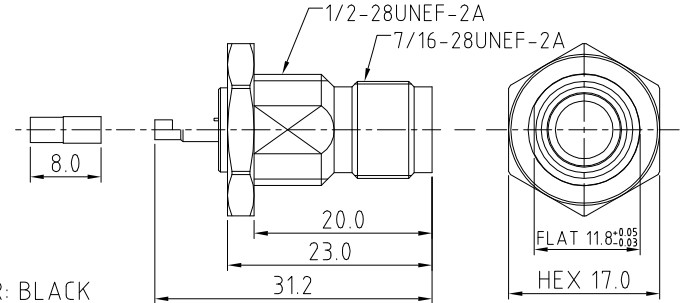
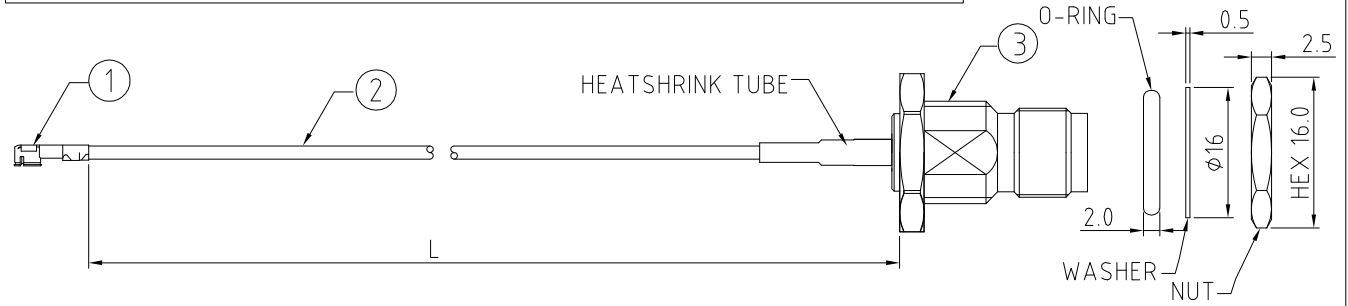
ENVIRONMENTAL:

- A. BULKHEAD MOUNTED CONNECTOR (RFCT-TNC005-F78) RATED TO THE FOLLOWING SPECIFICATION:
- i. IP6X - DUST TIGHT - NO PARTICLE INGRESS.
 - ii. IPX7 WATERPROOF FOR 30 MINUTES UP TO 1 METER UNDERWATER.
 - iii. IPX8 WATERPROOF FOR 48 HOURS AT 1 METER UNDERWATER.

NOTES:

1. THE ORIENTATION OF CONNECTORS ON DRAWING IS FOR REFERENCE ONLY, IF THE ORDER IS LEFT BLANK THE CONNECTOR WILL NOT HAVE FIXED ORIENTATION.
2. FIXED ORIENTATION IS SUGGESTED FOR CABLE LENGTH 25MM TO 100MM. PLEASE SPECIFY THE FIXED ORIENTATIONS FROM THE ORDER CODE (F1, F2, ETC)
3. CONTACT GRAD CONN IF THE ORIENTATION YOU REQUIRE IS NOT SHOWN.
4. WORKING FREQUENCY RANGE: DC-3GHz

USAGE PRECAUTIONS: CABLES USING 'MICRO' COAX ARE DELICATE:
 (i) HANDLE WITH CARE.
 (ii) DO NOT TWIST; APPLY EXCESSIVE FORCES OR SHARP BENDS TO THE CABLE. DO NOT FORCEFULLY DEFORM WIRES.
 (iii) CONSULT CONNECTOR MANUFACTURER'S DATASHEETS FOR DETAILED NOTES ON HANDLING INSTRUCTIONS.



HOW TO ORDER
 CABLE 140 RF - X X X - X - XX - 0

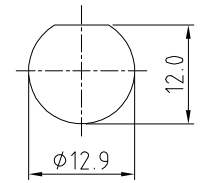
"L" LENGTH IN MM
 eg: 100MM = 0100
 (MIN. 025-MAX.400)
 STANDARD = 100, 150, 200)
 Tolerance: <50mm : ±2mm.
 51-200mm: ±5mm.
 201-400mm: ±7mm.

CABLE SIZE OPTIONS:
 0 = Ø1.48MM CABLE, COLOR: BLACK

ORIENTATION OPTIONS:
 BLANK = DOES NOT HAVE A FIXED ORIENTATION
 F1 = H.FL CONNECTION DOWN (L=25-200MM)
 F2 = H.FL CONNECTION UP (L=25-200MM)
 F3 = H.FL CONNECTION AND D FLAT SAME ORIENTATION (L=25-200MM)
 F4 = H.FL CONNECTION AND D FLAT OPPOSITE ORIENTATION (L=25-200MM)
 (SEE NOTES 1, 2, 3 AND DIAGRAMS FOR MORE INFORMATION)

O-RING, WASHER AND NUT OPTIONS:
 BLANK = SEPARATELY PACKED (STANDARD)
 A = ASSEMBLED WITH CONNECTOR

TNC DETAIL DRAWING



RECOMMENDED TNC MOUNTING HOLE (TOLERANCE: ±0.1)

REV. DATE & DRN
 10 18/10/12 - NYW RELEASE
 11 25/02/16 - NYW UPDATED TNC PART NUMBER, ADD IP67/68 INFORMATION.
 12 30/05/18 - NYW TNC MOUNTING HOLE DIMENSION
 13 26/05/17 - NYW ADD F3 & F4 ORIENTATION OPTIONS.
 14 14/02/18 - NYW TYP0 CORRECTION

Scale: NTS	THIRD ANGLE	Unstated Tolerances: X ±0.2 XX ±0.1 XXX ±0.05 ANGLES ±5
Drawn: NYW		
App'd: XXX	Title CABLE ASSEMBLY	
Date: 22 MAR. '18	Revision: 1.4	Unit: mm

IP67/68 Rated Cables

www.gradconn.com

Type: Cable 140 RF
CABLE 140 RF
Drawing Number:
Sheet 1 of 1
Drawing © E and O E