

CABLE 136 RF: RF CABLE ASSEMBLY, I-PEX MHF + N S/T BULKHEAD JACK WITH O-RING + 1.37MM CABLE

SPECIFICATIONS :

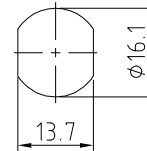
1. I-PEX MHF PLUG, P/N : 20351-112R-37
2. ϕ 1.37MM COAXIAL CABLE, COLOR: BLACK
3. N STRAIGHT BULKHEAD JACK WITH O-RING (C28CEWS178002)

NOTES:

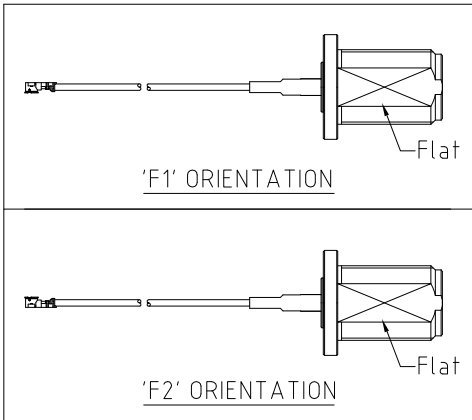
1. THE ORIENTATION OF CONNECTORS ON DRAWING IS FOR REFERENCE ONLY, IF THE ORDER IS LEFT BLANK THE CONNECTOR WILL NOT HAVE FIXED ORIENTATION.
2. FIXED ORIENTATION IS POSSIBLE FOR CABLE LENGTH 25MM TO 220MM. PLEASE SPECIFY THE FIXED ORIENTATIONS FROM THE ORDER CODE (F1, F2, ETC)
3. CONTACT GRAD CONN IF THE ORIENTATION YOU REQUIRE IS NOT SHOWN.
4. WORKING FREQUENCY RANGE: DC-3GHz.

USAGE PRECAUTIONS: CABLES USING 'MICRO' COAX ARE DELICATE:

- (i) HANDLE WITH CARE.
- (ii) DO NOT TWIST; APPLY EXCESSIVE FORCES OR SHARP BENDS TO THE CABLE. DO NOT FORCEFULLY DEFORM WIRES.
- (iii) CONSULT CONNECTOR MANUFACTURER'S DATASHEETS FOR DETAILED NOTES ON HANDLING INSTRUCTIONS.



RECOMMENDED MOUNTING HOLE



HOW TO ORDER

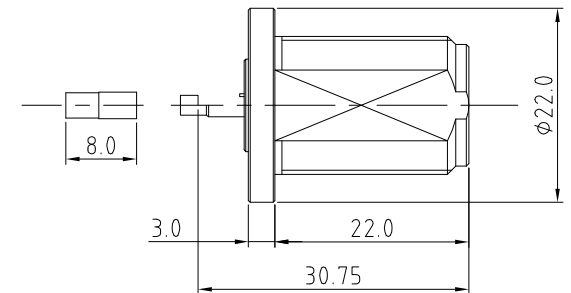
CABLE 136 RF - X X X X - X - XX - 0

"L" LENGTH IN MM:
 eg: 100MM = 0100
 (MIN. = 0050, MAX. = 2000)
 STANDARD = 0100, 0150, 0200)
 Tolerance: <50mm : \pm 2mm.
 51-200mm: \pm 5mm.
 201-500mm: \pm 7mm.
 >501mm: \pm 10mm.

CABLE SIZE OPTIONS:
 0 = ϕ 1.37MM CABLE, COLOR: BLACK

BLANK = DOES NOT HAVE A FIXED ORIENTATION
 F1 = I-PEX CONNECTION DOWN (L=50-220MM)
 F2 = I-PEX CONNECTION UP (L=50-220MM)
 (SEE NOTES 1, 2, 3 AND DIAGRAMS FOR MORE INFORMATION)

WASHER AND NUT OPTIONS:
 BLANK = SEPERATELY PACKED (STANDARD)
 A = ASSEMBLED WITH CONNECTOR



N BULKHEAD DETAIL DRAWING

REV. DATE & DRN
 10 09/05/12 - NYW RELEASE
 11 05/02/13 - NYW
 ADD NOTE 4.

Scale: NTS	THIRD ANGLE	Unstated X XX XXX ANGLES	Tolerances: \pm 0.2 \pm 0.1 \pm 0.05 \pm 5	Material SEE NOTE
Drawn: NYW				
App'd: XXX	Title: CABLE ASSEMBLY	NOT TO SCALE		
Date: 5 FEB. '13	Revision: 1.1	Unit: mm		

© THIS DRAWING IS CONFIDENTIAL AND MUST NOT BE COPIED OR DISCLOSED WITHOUT WRITTEN CONSENT

Type: Cable 136 RF
CABLE 136 RF
Drawing Number:
Sheet 1 of 1
Drawing © E and O E