

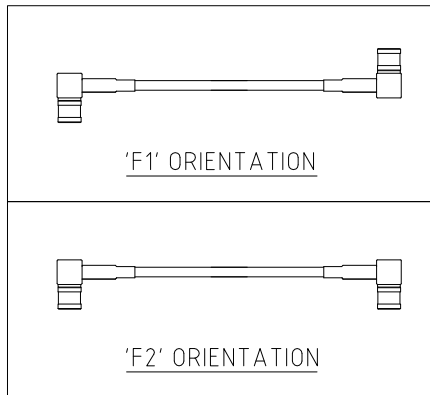
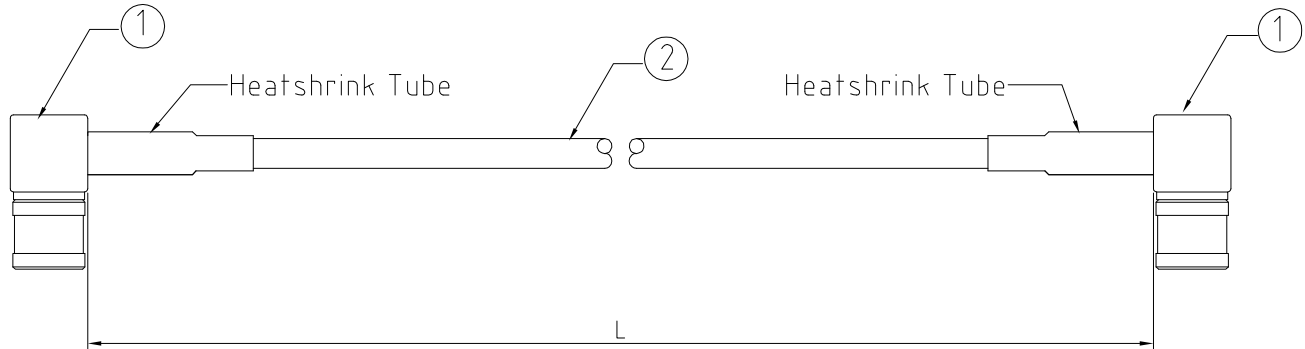
CABLE 132 RF: RF CABLE ASSEMBLY, SMB RIGHT ANGLE PLUG + RG174 CABLE + SMB RIGHT ANGLE PLUG - 6GHz

SPECIFICATIONS :

1. SMB RIGHT ANGLE PLUG (C03BA3F174001)
2. RG174 COAXIAL CABLE, BLACK

NOTES:

1. THE ORIENTATION OF CONNECTORS ON DRAWING IS FOR REFERENCE ONLY, IF THE ORDER IS LEFT BLANK THE CONNECTOR WILL NOT HAVE FIXED ORIENTATION.
2. FIXED ORIENTATION IS POSSIBLE FOR CABLE LENGTH 50MM TO 220MM. PLEASE SPECIFY THE FIXED ORIENTATIONS FROM THE ORDER CODE (F1, F2, ETC)
3. CONTACT GRAD CONN IF THE ORIENTATION YOU REQUIRE IS NOT SHOWN.
4. WORKING FREQUENCY RANGE: DC-6GHz



HOW TO ORDER

CABLE 132 RF - XXXX - XX - 0

"L" LENGTH IN MM

eg: 100MM = 0100

(MIN. = 0050, MAX. = 2000

STANDARD = 0100, 0150, 0200)

Tolerance: <50mm : ±2mm.

51-200mm: ±5mm.

201-500mm: ±7mm.

>501mm: ±10mm.

CABLE SIZE OPTIONS:  
0 = RG174 CABLE.

BLANK = DOES NOT HAVE A FIXED ORIENTATION  
F1 = OPPOSITE ORIENTATION (L=50-220MM)  
F2 = SAME ORIENTATION (L=50-220MM)  
(SEE NOTES 1, 2, 3 AND DIAGRAMS FOR MORE INFORMATION)

REV. DATE & DRN  
10 22/11/11 - NYW RELEASE

Scale: NTS	THIRD ANGLE	Unstated X .XX .XXX ANGLES	Tolerances: ±0.2 ±0.1 ±0.05 ±5	Material SEE NOTE
Drawn: NYW				
App'd: XXX	Title CABLE ASSEMBLY	NOT TO SCALE		
Date: 22 NOV '11	Revision: 1.0	Unit: mm		

www.gradconn.com

© THIS DRAWING IS CONFIDENTIAL AND MUST NOT BE COPIED OR DISCLOSED WITHOUT WRITTEN CONSENT

Type: Cable 132 RF
CABLE 132 RF
Drawing Number:
Sheet 1 of 1
Drawing © E and O E