

CABLE 124 RF: RF CABLE ASSEMBLY, HIROSE H.FL PLUG + SMA RIGHT ANGLE PLUG + 1.48 CABLE

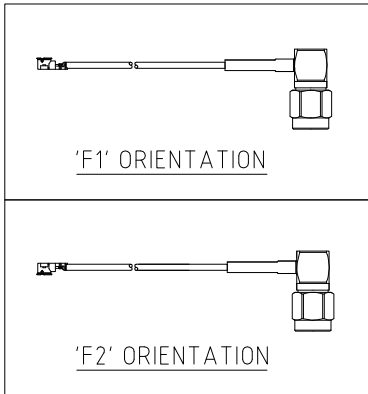
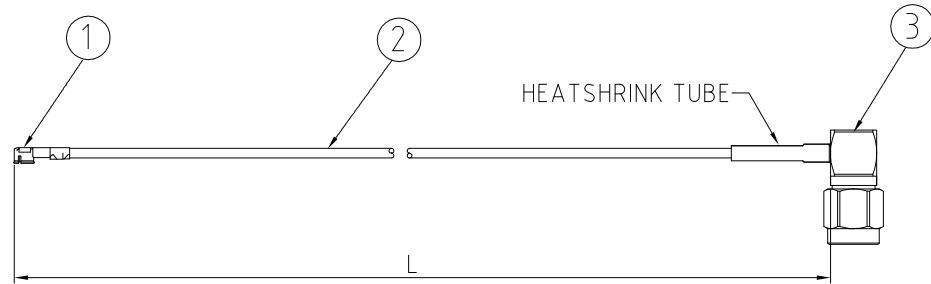
SPECIFICATIONS

1. HIROSE H.FL PLUG (H.FL-LP)
2. $\phi 1.48$ mm COAXIAL CABLE, BLACK
3. SMA RIGHT ANGLE PLUG (C01BA3F178008C)

NOTES:

1. THE ORIENTATION OF CONNECTORS ON DRAWING IS FOR REFERENCE ONLY, IF THE ORDER IS LEFT BLANK THE CONNECTOR WILL NOT HAVE FIXED ORIENTATION.
2. FIXED ORIENTATION IS POSSIBLE FOR CABLE LENGTH 25MM TO 220MM. PLEASE SPECIFY THE FIXED ORIENTATIONS FROM THE ORDER CODE (F1, F2, ETC)
3. CONTACT GRAD CONN IF THE ORIENTATION YOU REQUIRE IS NOT SHOWN.
4. WORKING FREQUENCY RANGE: DC-3GHz

USAGE PRECAUTIONS: CABLES USING 'MICRO' COAX ARE DELICATE:
 (i) HANDLE WITH CARE.
 (ii) DO NOT TWIST; APPLY EXCESSIVE FORCES OR SHARP BENDS TO THE CABLE. DO NOT FORCEFULLY DEFORM WIRES.
 (iii) CONSULT CONNECTOR MANUFACTURER'S DATASHEETS FOR DETAILED NOTES ON HANDLING INSTRUCTIONS.

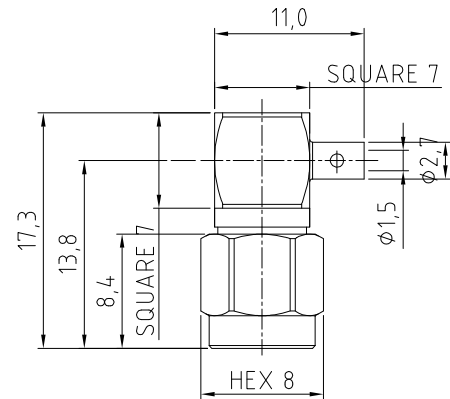


HOW TO ORDER

CABLE 124 RF - X X X - X X

"L" LENGTH IN MM
 eg: 100MM = 0100
 (MIN. 025-MAX.400)
 STANDARD = 100, 150, 200
 Tolerance: <50mm : ± 2 mm.
 51-200mm: ± 5 mm.
 201-400mm: ± 7 mm.

BLANK = DOES NOT HAVE A FIXED ORIENTATION
 F1 = H.FL CONNECTION UP (L=25-220MM)
 F2 = H.FL CONNECTION DOWN (L=25-220MM)
 (SEE NOTES 1, 2, 3 AND DIAGRAMS FOR MORE INFORMATION)



SMA PLUG DETAIL DIMENSION

REV. DATE & DRN
 10 08/09/11 - NYW RELEASE
 11 10/07/12 - NYW AMEND HIROSE P/N
 12 20/01/12 - NYW AMEND WORKING FREQUENCY.

Scale: NTS	THIRD ANGLE	Unstated X .XX .XXX ANGLES	Tolerances: ± 0.2 ± 0.1 ± 0.05 ± 5	Material SEE NOTE
Drawn: NYW				
App'd: XXX	Title: CABLE ASSEMBLY	NOT TO SCALE		
Date: 20 JAN '12	Revision: 1.2	Unit: mm		

www.gradconn.com

THIS DRAWING IS CONFIDENTIAL AND MUST NOT BE COPIED OR DISCLOSED WITHOUT WRITTEN CONSENT

Type: Cable 124 RF
CABLE 124 RF
Drawing Number:
Sheet 1 of 1
Drawing © E and O E