

CABLE 103 RF: RF CABLE ASSEMBLY, MMCX R/A PLUG + MMCX R/A PLUG + MULTIPLE CABLE SIZES

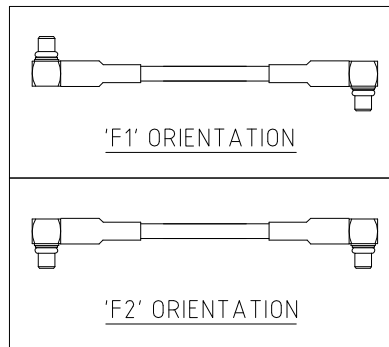
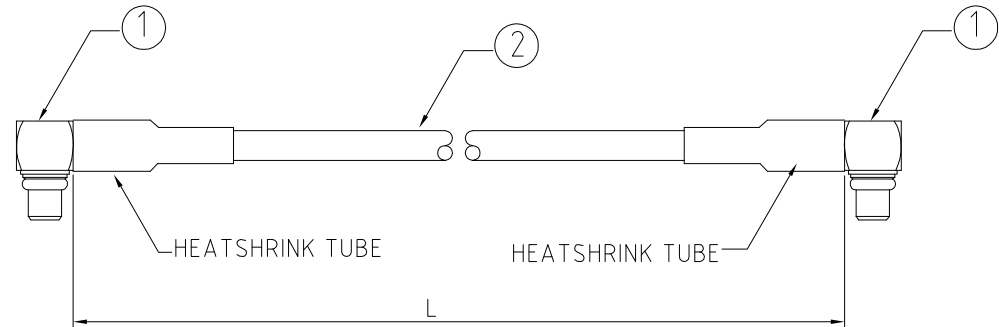
SPECIFICATIONS :

1. MMCX RIGHT ANGLE PLUG P/N:
 FOR Ø1.13MM CABLE: C05BA3F113001
 FOR Ø1.32MM CABLE: C05BA3F132001
 FOR Ø1.37MM & RG178 CABLE: C05BA3F178001
 FOR RG174, RG316 CABLE: C05BA3F174001

2. MIT COAXIAL CABLE (SEE CABLE OPTIONS FOR DETAIL)

NOTES:

1. THE ORIENTATION OF CONNECTORS ON DRAWING IS FOR REFERENCE ONLY, IF THE ORDER IS LEFT BLANK THE CONNECTOR WILL NOT HAVE FIXED ORIENTATION.
2. FIXED ORIENTATION IS SUGGESTED FOR CABLE LENGTH 50MM TO 100MM. PLEASE SPECIFY THE FIXED ORIENTATIONS FROM THE ORDER CODE (F1, F2, ETC)
3. CONTACT GRAD CONN IF THE ORIENTATION YOU REQUIRE IS NOT SHOWN.
4. WORKING FREQUENCY RANGE: DC 0-3GHz.



HOW TO ORDER

CABLE 103 RF - X X X X - X X - X

"L" LENGTH IN MM

eg: 100MM = 0100

(MIN. = 0050, MAX. = 2000

STANDARD = 0100, 0150, 0200)

Tolerance: <50mm : ±2mm.

51-200mm: ±5mm.

201-500mm: ±7mm.

>501mm: ±10mm.

BLANK = DOES NOT HAVE A FIXED ORIENTATION

F1 = OPPOSITE ORIENTATION (L=50-200MM)

F2 = SAME ORIENTATION (L=50-200MM)

(SEE NOTES 1, 2, 3 AND DIAGRAMS FOR MORE INFORMATION)

CABLE SIZE OPTIONS:

- 1 = Ø1.13MM CABLE, COLOR: GRAY
- 2 = Ø1.32MM CABLE, COLOR: GRAY
- 3 = Ø1.37MM CABLE, COLOR: BLACK
- 4 = RG178 CABLE, COLOR: BROWN
- 5 = RG174 CABLE, COLOR: BLACK
- 6 = RG316 CABLE, COLOR: BROWN

REV. DATE & DRN
 10 31/05/10 - NYW RELEASE
 11 02/06/10 - NYW RELEASE
 ADD NOTES 4.
 12 02/10/17 - NYW RELEASE
 ADD CABLE OPTION 6.
 P/N LEGEND AMENDMENT.

Scale: NTS	THIRD ANGLE	Unstated X .XX .XXX ANGLES	Tolerances: N/A N/A N/A N/A	Material SEE NOTE
Drawn: NYW				
App'd: XXX	Title: CABLE ASSEMBLY	NOT TO SCALE		
Date: 2 OCT. '17	Revision: 1.2	Unit: mm		

www.gradconn.com

THIS DRAWING IS CONFIDENTIAL AND MUST NOT BE COPIED OR DISCLOSED WITHOUT WRITTEN CONSENT

Type: Cable 103 RF
CABLE 103 RF
Drawing Number:
Sheet 1 of 1
Drawing © E and O E