



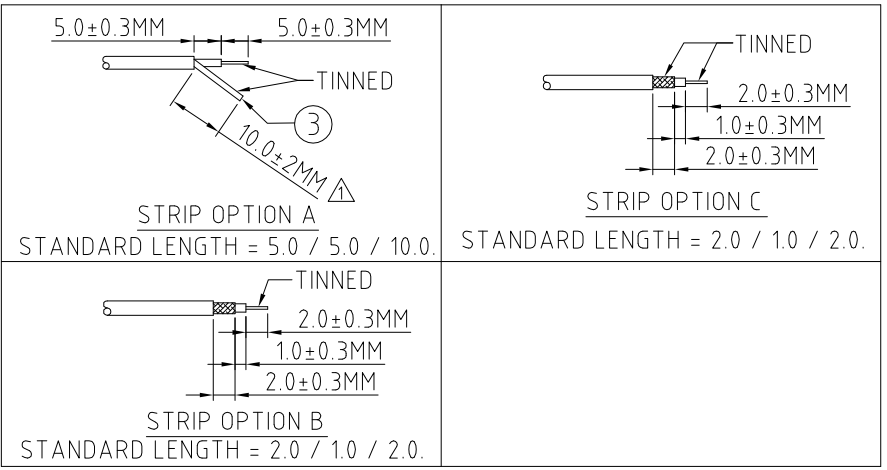
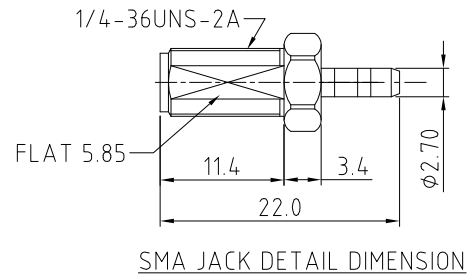
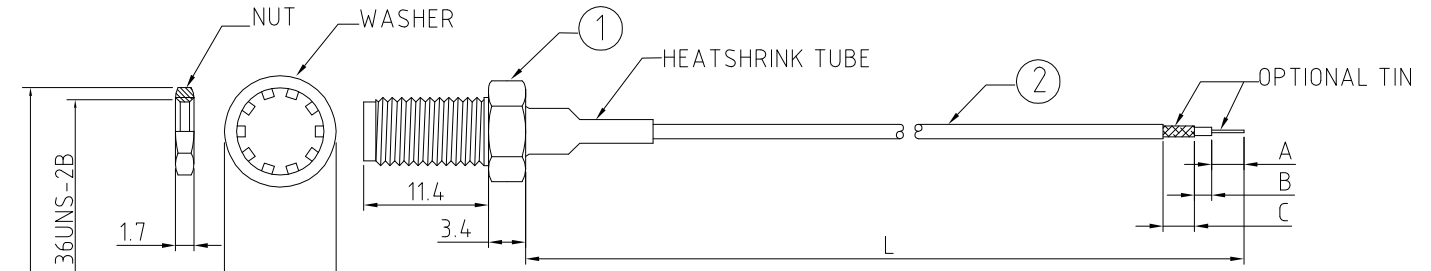
CAB101RF: RF CABLE ASSEMBLY, SMA BULKHEAD JACK + RG174 CABLE + STRIP / TIN

SPECIFICATIONS :

1. SMA ST BULKHEAD JACK (P/N: C02ABWS174003C), GOLD
2. RG174 COAXIAL CABLE, MIT, COLOR: BLACK
33. TWISTED BRAID OR FLEXIBLE COPPER WIRE, LENGTH = A (CENTRE CONDUCTOR) + B (INSULATOR). MINIMUM = 6.0MM. LENGTH 6.0MM - 9.9MM: TWISTED BRAID. LENGTH +10MM: FLEXIBLE COPPER WIRE.

NOTES:

1. STRIP DIMENSION A / B / C STANDS FOR  
A = CENTRE CONDUCTOR  
B = INSULATOR  
C = BRAID.
2. INSERTION LOSS TEST REPORT IS NOT AVAILABLE.
3. THIS IS OUR STANDARD OFFERING, SPECIAL DESIGNS ARE AVAILABLE, INCLUDING CUSTOM TOLERANCES AND SPECIAL BRAID TINNING DESIGNS. PLEASE CONTACT GRADCONN FOR MORE INFORMATION.
4. CENTRE CONDUCTOR AND TWISTED BRAID OF COAX CABLE IS TINNED. WHEN BRAID LENGTH EXCEEDS 10MM LENGTH OF TINNED COPPER WIRE IS SOLDERED TO THE BRAID/SHIELD OF THE COAX CABLE WHICH ALLOWS SOLDERING TO PCB.



HOW TO ORDER

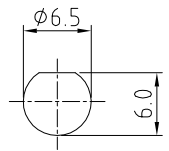
CAB101RF - X X X X - X.X / X.X / X.X - X - X

"L" LENGTH IN MM  
eg: 100MM = 0100  
(MIN. = 0050, MAX. = 2000  
STANDARD = 0100, 0150, 0200)  
Tolerance: <50mm : ±2mm.  
51-200mm: ±5mm.  
201-500mm: ±7mm.  
>501mm: ±10mm.

A/B/C STRIP DIMENSION IN MM  
FOR STANDARD LENGTH PLEASE  
REFER TO DRAWINGS.  
(SPECIALS AVAILABLE UPON  
REQUEST.)

WASHER AND NUT OPTIONS:  
BLANK = SEPERATELY PACKED (STANDARD)  
A = ASSEMBLED WITH CONNECTOR

STRIP AND TIN OPTIONS:  
A = CENTER CONDUCTOR & TWISTED BRAID/SOLDERED COPPER  
WIRE TINNED (SEE NOTE 4 FOR SOLDER TO PCB APPLICATION)  
B = STRIPPED, END A TINNED  
C = STRIPPED, END A & C TINNED



RECOMMENDED SMA MOUNTING HOLE

REV. DATE & DRN  
10 11/05/10 - NYW RELEASE  
11 11/07/11 - NYW  
12 21/05/15 - NYW  
AMEND TOLERANCE.  
REMOVE STRIP OPTION '0'.  
AMEND STRIP OPTION 'A'.

|                  |                       |  |  |                      |
|------------------|-----------------------|--|--|----------------------|
| Scale: NTS       | THIRD ANGLE           | Unstated<br>X<br>.XX<br>.XXX<br>ANGLES | Tolerances:<br>±0.2<br>±0.1<br>±0.05<br>±5 | Material<br>SEE NOTE |
| Drawn: NYW       |                       |  |  |                      |
| App'd: XXX       | Title: CABLE ASSEMBLY | NOT TO SCALE                           |  |                      |
| Date: 21 MAY '15 | Revision: 1.2         | Unit: mm                               |  |                      |

© THIS DRAWING IS CONFIDENTIAL AND MUST NOT BE COPIED OR DISCLOSED WITHOUT WRITTEN CONSENT

|                     |
|---------------------|
| Type: Cable 101 RF  |
| CAB101RF            |
| Drawing Number:     |
| Sheet 1 of 1        |
| Drawing © E and O E |