



CABLE 090 RF: RF CABLE ASSEMBLY, IPEX MHF + RP SMA BULKHEAD JACK WITH O-RING + MULTIPLE CABLE SIZES

SPECIFICATIONS :

1. IPEX MHF PLUG (SEE CHART FOR P/N)
2. MIT COAXIAL CABLE (SEE CHART FOR DETAIL)
3. RP SMA BULKHEAD JACK WITH O-RING (SEE CHART FOR P/N)

NOTES:

1. THE ORIENTATION OF CONNECTORS ON DRAWING IS FOR REFERENCE ONLY, IF THE ORDER IS LEFT BLANK THE CONNECTOR WILL NOT HAVE FIXED ORIENTATION.
2. FIXED ORIENTATION IS SUGGESTED FOR CABLE LENGTH 25MM TO 100MM. PLEASE SPECIFY THE FIXED ORIENTATIONS FROM THE ORDER CODE (F1, F2, ETC)
3. CONTACT GRAD CONN IF THE ORIENTATION YOU REQUIRE IS NOT SHOWN.
4. WORKING FREQUENCY RANGE: DC-6GHz

USAGE PRECAUTIONS: CABLES USING 'MICRO' COAX ARE DELICATE:

- (i) HANDLE WITH CARE.
- (ii) DO NOT TWIST; APPLY EXCESSIVE FORCES OR SHARP BENDS TO THE CABLE. DO NOT FORCEFULLY DEFORM WIRES.
- (iii) CONSULT CONNECTOR MANUFACTURER'S DATASHEETS FOR DETAILED NOTES ON HANDLING INSTRUCTIONS.

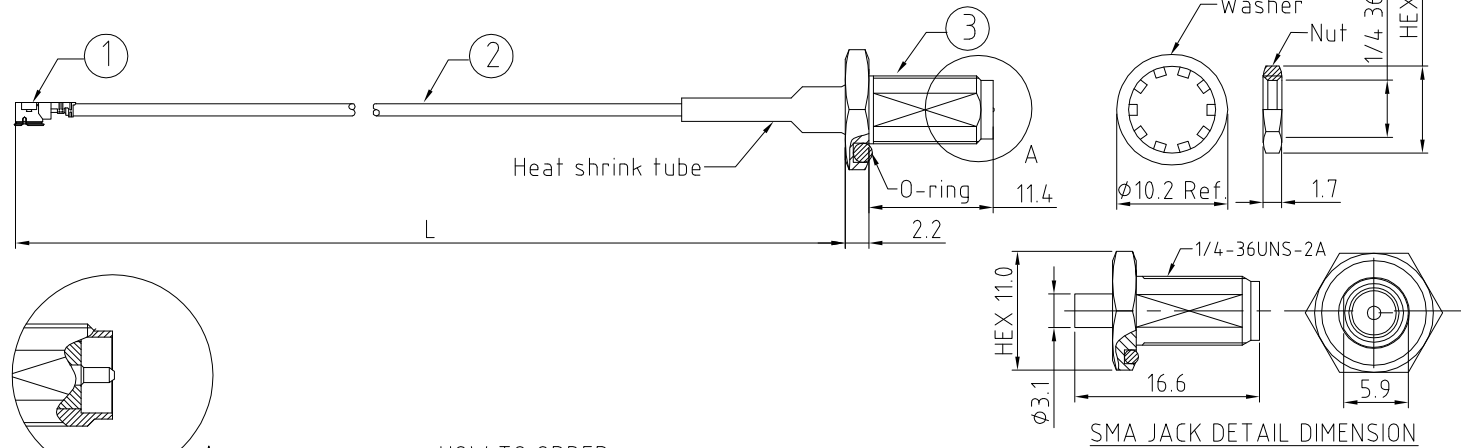
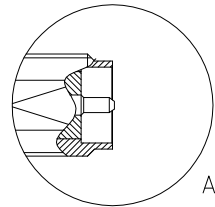


CHART OF CABLE AND CONNECTOR P/N

CABLE $\phi$ & COLOR	I-PEX P/N	SMA P/N
$\phi$ 1.13, GRAY	20278-112R-13	C20AD31113005B
$\phi$ 1.32, GRAY	20278-112R-32	C20AD31132005B
$\phi$ 1.37, BLACK	20351-112R-37	C20AD31137005B
$\phi$ 1.48, BLACK	20351-112R-37	C20AD31148005B
RG178, BROWN	20351-112R-37	C20AD31178005B



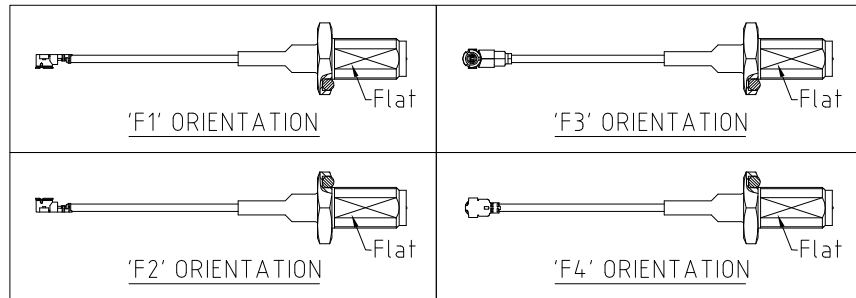
**HOW TO ORDER**  
 CABLE 090 RF - X X X - X X - X - X

"L" LENGTH IN MM  
 eg: 100MM = 0100  
 (MIN. 025-MAX.400)  
 STANDARD = 100, 150, 200)  
 Tolerance: <50mm :  $\pm 2$ mm.  
 51-200mm:  $\pm 5$ mm.  
 201-400mm:  $\pm 7$ mm.

CABLE SIZE OPTIONS:  
 BLANK =  $\phi$ 1.13MM CABLE  
 1 =  $\phi$ 1.32MM CABLE  
 2 =  $\phi$ 1.37MM CABLE  
 3 =  $\phi$ 1.48MM CABLE  
 4 = RG178 CABLE  
 5 =  $\phi$ 1.13MM LOW LOSS CABLE

WASHER AND NUT OPTIONS:  
 BLANK = SEPERATELY PACKED (STANDARD)  
 A = ASSEMBLED WITH CONNECTOR

ORIENTATION OPTIONS:  
 BLANK = DOES NOT HAVE A FIXED ORIENTATION  
 F1 = MHF CONNECTION DOWN (L=25-100MM)  
 F2 = MHF CONNECTION UP (L=25-100MM)  
 F3 = MHF CONNECTION AND D FLAT SAME ORIENTATION (L=25-100MM)  
 F4 = MHF CONNECTION AND D FLAT OPPOSITE ORIENTATION (L=25-100MM)  
 (SEE NOTES 1, 2, 3 AND DIAGRAMS FOR MORE INFORMATION)



REV. DATE & DRN  
 10 09/17/09-NYW RELEASE  
 11 11/11/09-NYW  
 12 ADD DIRECTION OPTION  
 12 22/03/10 - NYW  
 13 ADD MULTIPLE CABLE SIZES  
 13 11/11/10 - NYW  
 13 AMEND ORIENTATION DESCRIPTION ON PART#  
 14 16/11/15 - NYW  
 14 ADD F3 & F4 ORIENTATION OPTIONS  
 15 19/12/17 - NYW  
 15 ADD CABLE SIZE OPTION 5.

Scale: NTS	THIRD ANGLE	Unstated X XX XXX ANGLES	Tolerances: $\pm 0.2$ $\pm 0.1$ $\pm 0.05$ $\pm 5$	Material SEE NOTE
Drawn: NYW				
App'd: XXX	Title CABLE ASSEMBLY	NOT TO SCALE		
Date: 19 DEC. '17	Revision: 15	Unit: mm		

www.gradconn.com

THIS DRAWING IS CONFIDENTIAL AND MUST NOT BE COPIED OR DISCLOSED WITHOUT WRITTEN CONSENT

Type: Cable 090 RF
CABLE 090 RF
Drawing Number:
Sheet 1 of 1
Drawing © E and O E